

Detection - TECHNICAL CHARACTERISTICS

Presence detector for burglar alarm systems

Scope

Peripheral detection unit suitable for any burglar alarm system available on the market

Installazione

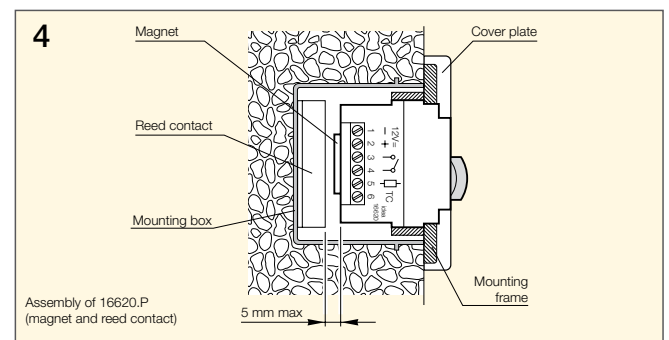
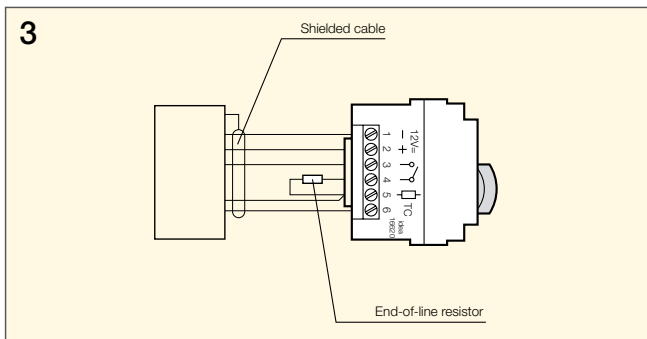
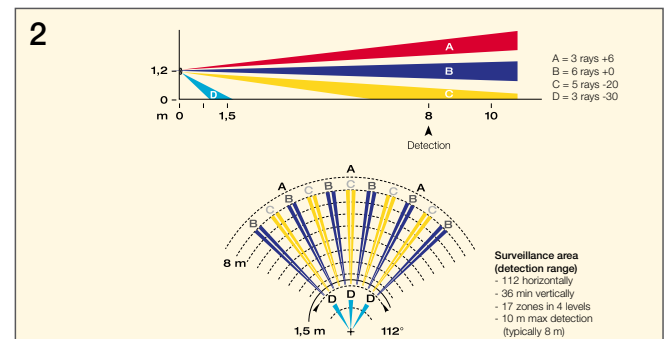
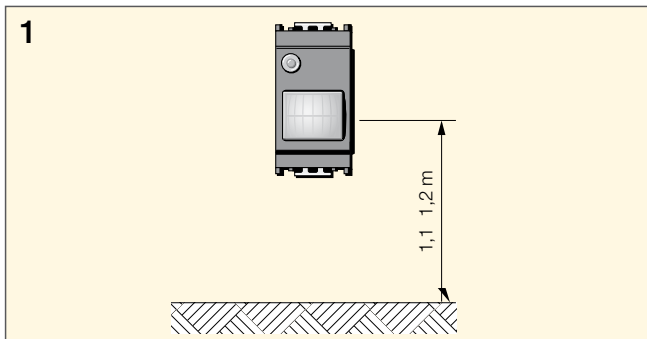
- at 1,1-1,2 m from the floor level, far from heat sources and not exposed to direct sunlight (Fig. 1)
- wiring as indicated in Fig. 3
- surface mounting with orientable support 16835

Conformity to Standards

EMC Directive
CEI 79-2, EN 50130-4, EN 61000-6-3 Standards

Technical specifications

- supply voltage: 12 V d.c. (10,5 - 14 V d.c.)
- absorption: < 6,5 mA
- alarm output: NC relay, rating 0,1 at 30 V d.c. max for signal circuits; for dividing d.c. relay coils, include a protection diode.
- pyroelectric sensor and Fresnel lens: detect the movement of persons within the sensor detection range
- detection range, see Fig. 2
- protection against electromagnetic interferences (Italian standard CEI 79-2 1st level)
- Installation possibilities:
 - additional protection tamperproof (16620.P - Fig. 4)
 - flush mounting with orientable support (16835+16830) and antitamper kit (16897.S)
 - surface mounting with orientable support (16835+16831) and antitamper kit (16897.S)



Adaptor for electronic key insertion

For the installation on the mounting frames for Idea series equipments of the electronic keys produced by the most important manufactures of burglar alarm systems (i.e. AT2M ARITECH, PEM2L BRAHMS, DLT50M DOMOTEC, EK20FD ELKRON, 203050 ELSA, CH3/CH4 FRACARRO, I137/I138 LINCE, 11/ICHM RAF, CH/54M SERAI, CHE502/CHE504 SICURIT, ALARMITALIA, CHO1IS STS).

Conformity to Standards

LV Directive

Detection

Presence detector for burglar alarm system

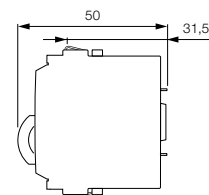
| | | |
|----------------|-----------|---|
| 16620 | .B | Passive infraed detector suitable for traditional burglar alarm system, supply voltage 12 V d.c. (SELV) |
| 16620.P | | Tamperproof protection for 16620 detector |



16620
grey



16620.B
white



16620.P

Adaptor for electronic key insertion for burglar alarm systems

| | | |
|--------------|-----------|--|
| 16544 | .B | Adaptor for electronic key insertion for burglar alarm systems |
|--------------|-----------|--|



16544
grey



16544.B
white

