

Idea: admittance request system - TECHNICAL CHARACTERISTICS

Admittance request system

Scope

The external ringing unit and the internal reply unit forming the admittance request system allow the access control to restricted environments (i.e. executive offices, surgeries, etc.)

Technical specifications

- rated voltage: 12 V~ ±10% 50-60 Hz or 12 V d.c. ±10% (SELV). The terminals for the supply are located on the reply unit; the ringing unit is supplied through the connections with the reply unit.
- absorption: 300 mA with activated acoustic and optical signalling

Conformity to Standards

EMC Directive

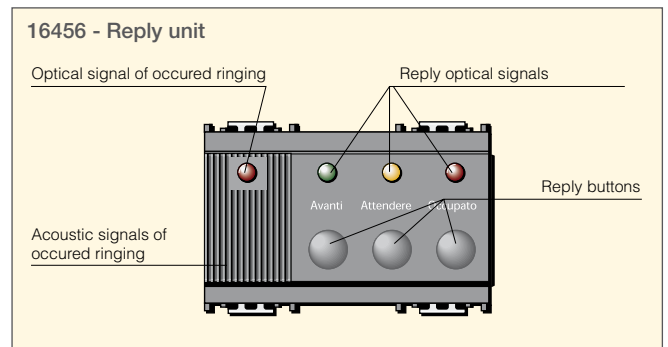
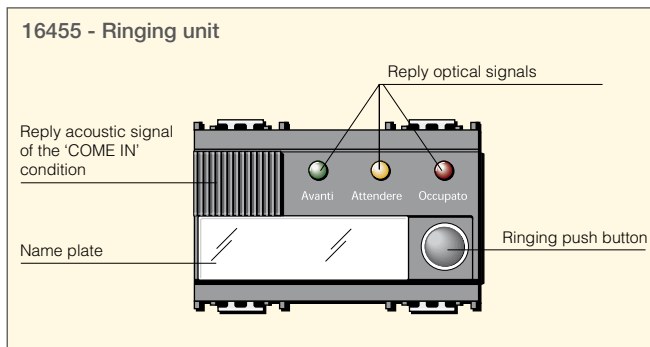
EN 61000-6-1, EN 61000-6-3 Standards

Mounting

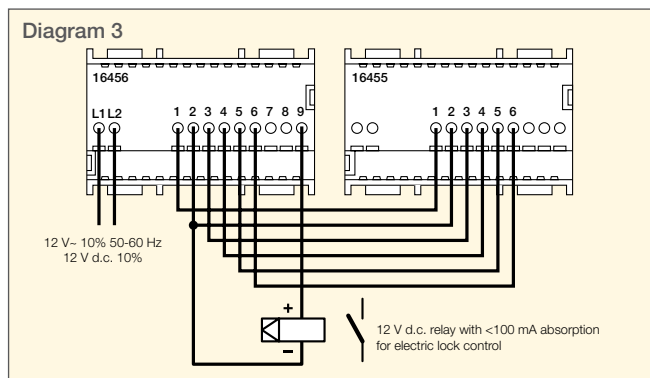
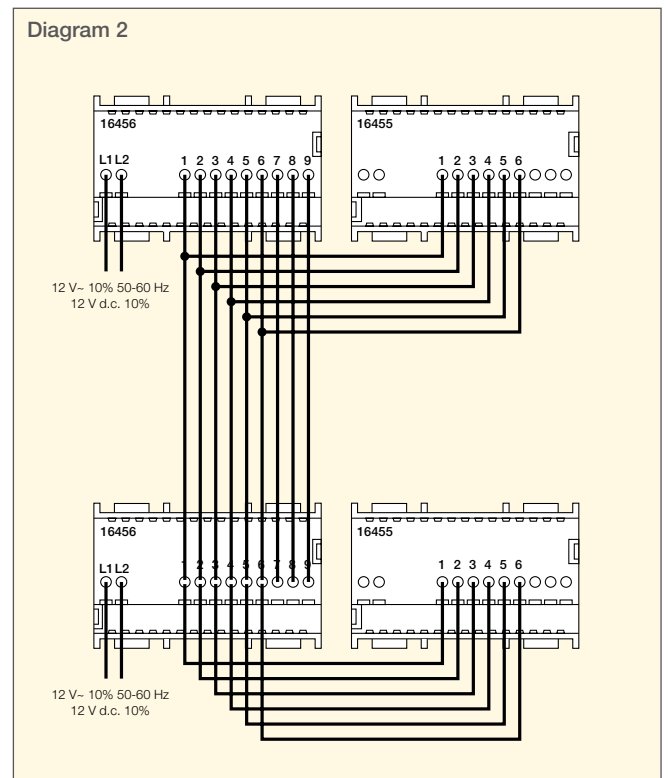
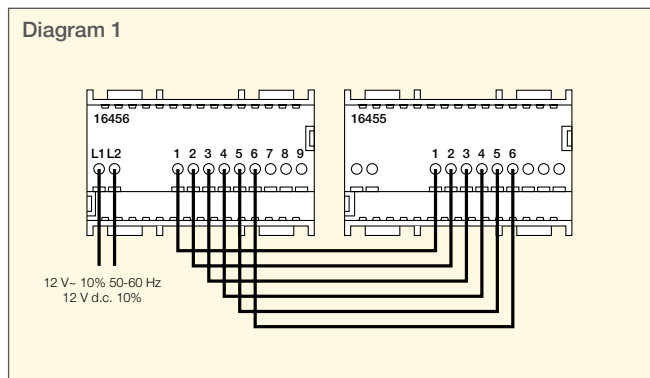
- to be supplied through safety isolating transformer
- for the wiring, use conduits segregated from the 230 V~ mains
- it can be mounted on table mounting boxes 16803 and 16806

Connections

- wirings: use supply conductors with cross sectional area $\geq 0.5 \text{ mm}^2$; it is possible to connect up to 2 external ringing units and 2 internal reply units (4 equipments max) operating simultaneously
- diagram 1: connection of one ringing unit and one reply unit
- diagram 2: connection of two ringing units and two reply units
- diagram 3: connection of one ringing unit and one reply unit with control on an electric lock



Wiring diagrams



Idea: admittance request system

Ringling unit

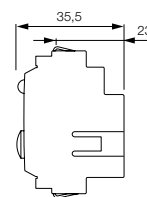
External electronic ringing unit - 3 modules



16455
grey



16455.B
white



Reply unit

Internal electronic reply unit, supply voltage 12 V~ 50-60 Hz or 12 V d.c. (SELV) - 3 modules



16456
grey



16456.B
white

