

Acoustic and optical signalling - TECHNICAL CHARACTERISTICS

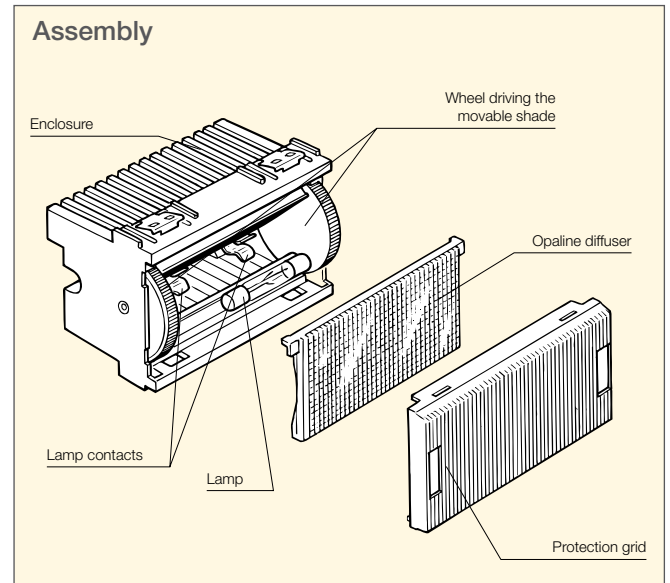
16445 - Step marker lamps

Scope

- localized lighting of floors, steps, stairs
- bed-head courtesy light

Technical specifications

- for $\varnothing 7 \times 31$ mm 12-24 V 3 W microtube lamps
- internal movable shade to direct the light beam, driven by two front wheels
- uniform light beam
- high resistance to impacts
- to be supplied through safety transformer



Lighting fittings

Scope

- lighting of residential and service areas, used as step marker lamp, under-shelf lighting, courtesy and night lights, etc.
- lighting of arcades, garages, cellars, containers, etc.

Technical specifications

- Supply voltage
 - **16448**: 230 V~ 50-60 Hz
 - **16447**: 120 V~ 50-60 Hz
- lamp: FD 4W G5
- luminous flux Φ : 82 lumen
- absorption: 6,9 W (16448), 4W (16447)
- lamp operating frequency: 30 kHz
- electronic ballast
- built-in 6-module mounting frame to complete with Classica and Rondò cover plates
- enclosure in self-extinguishing material
- resistance to frontal impact: 6,5 J
- installable on 6/7-module V71306, V71306.AU and V71616 mounting boxes or by main manufacturers
- installable at a height of 2,2 m and 20 cm from the floor level
- not controllable by dimmer
- protection degree: IP40 (IP20 in hollow walls)
- class II
- installable also on normally flammable surfaces

Conformity to Standards

LV Directive

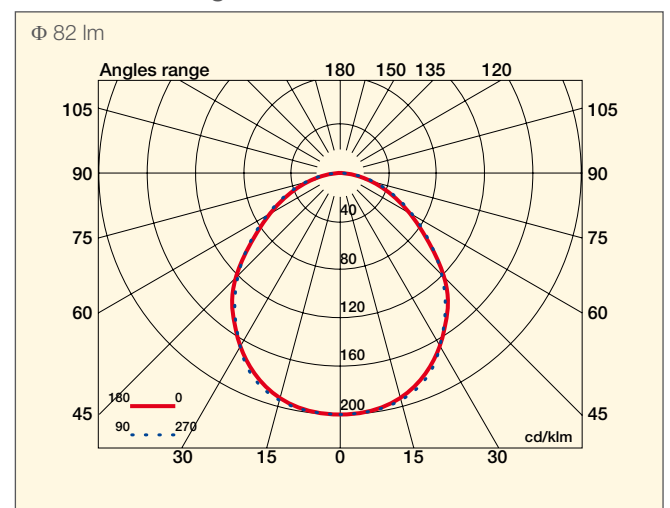
EN 60598-1, EN 60598-2-2 Standards

EMC Directive

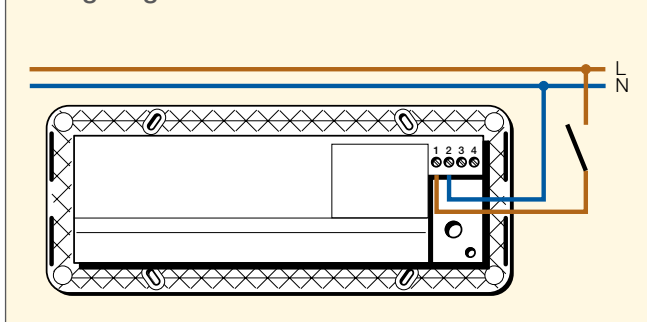
EN 61547, EN 61000-3-2, EN 61000-3-3, EN 55015

Standards

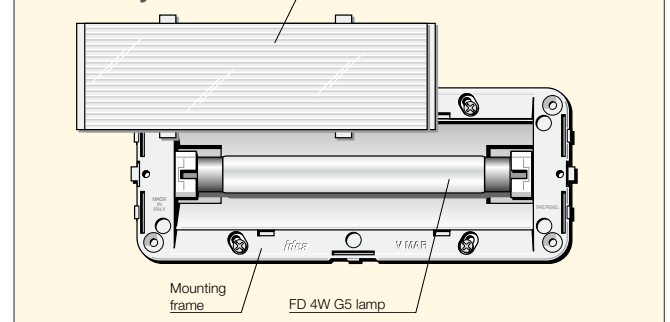
Photometric diagram



Wiring diagram



Assembly



Acoustic and optical signalling

Step marker lamp

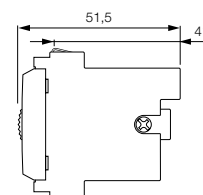
16445 .B Step marker lamp with adjustable beam, for 12-24 V (SELV) 3 W \varnothing 7x31 mm microtube lamp - 3 modules.
Supplied without lamp



16445
grey



16445.B
white



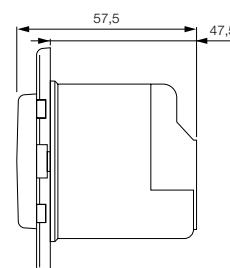
Lighting fitting

16448 Lighting fitting, supply voltage 230 V~ 50-60 Hz, with FD 4W G5 fluorescent lamp and built-in 6-module mounting frame for 6/7-module mounting boxes.
To be completed with 6-module classica or rondò cover plate

Δ 16447 Lighting fitting, supply voltage 120 V~ 50-60 Hz, with FD 4W G5 fluorescent lamp and built-in 6-module mounting frame for 6/7-module mounting boxes.
To be completed with 6-module classica or rondò cover plate



16447
16448



16448 - 16447 - Example of use

