

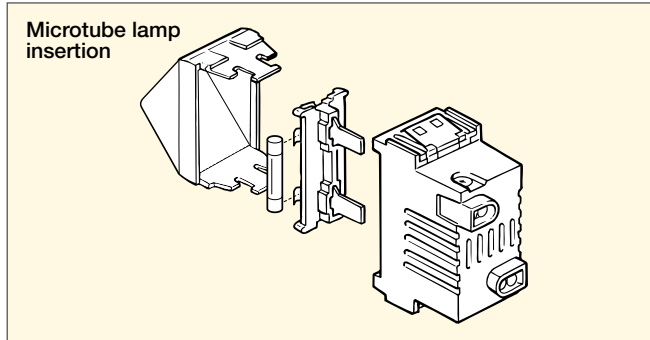
## Acoustic and optical signalings - TECHNICAL CHARACTERISTICS

### Prismatic indicator units

Microtube lamp

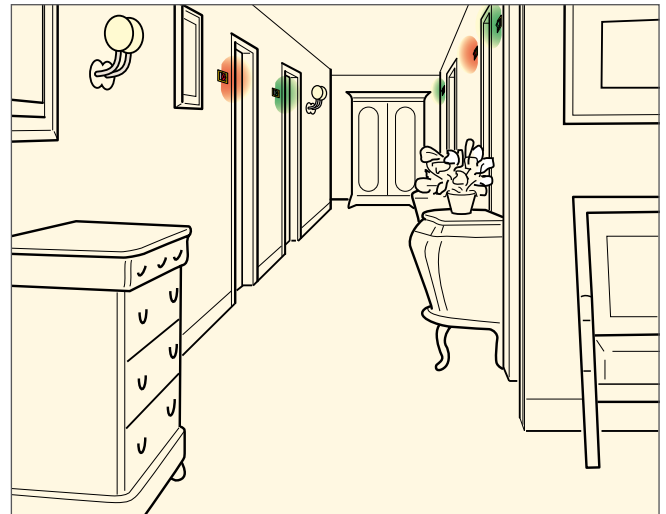
### Conformity to Standards

LV Directive



A 1,5  $\mu$ F 400 V~ capacitor should be connected in parallel to neon or fluorescent microtube lamps to avoid self-ignition in special circuits

### Example of use



Technical specifications of microtube lamps

Colour of emitted light	Article	Type	Voltage	W	Lamp dim. (mm)	Bulb dim. (mm)	Lamp colour	Diffuser colour
white	<b>07054</b>	incandescence	12 V	3 W	7x31	$\varnothing$ 8x15	white	white
white	<b>07055</b>	incandescence	24 V	3 W	7x31	$\varnothing$ 8x15	white	white
orange	<b>07054</b>	incandescence	12 V	3 W	7x31	$\varnothing$ 8x15	white	orange
orange	<b>07055</b>	incandescence	24 V	3 W	7x31	$\varnothing$ 8x15	white	orange
red	<b>07053</b>	neon	110 V~	0,5 W	6,3x28		red	red
red	<b>07052</b>	neon	250 V~	0,5 W	6,3x28		red	red
green	<b><math>\Delta</math> 07053.V</b>	fluorescent	110 V~	0,5 W	6,3x28		green	green
green	<b>07052.V</b>	fluorescent	250 V~	0,5 W	6,3x28		green	green
blue	<b><math>\Delta</math> 07053.AZ</b>	fluorescent	110 V~	0,5 W	6,3x28		blue	white
blue	<b>07052.AZ</b>	fluorescent	250 V~	0,5 W	6,3x28		blue	white

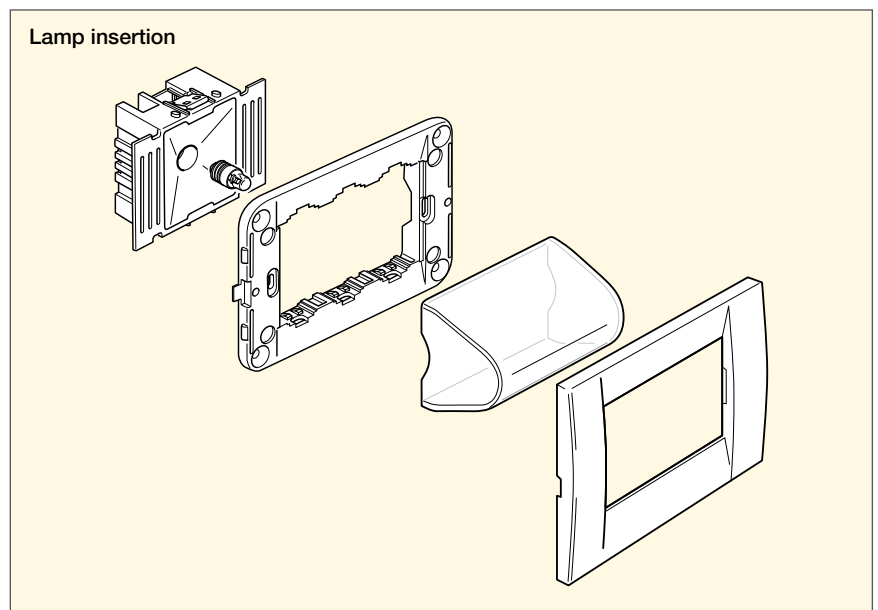
**Note** Colour of emitted light = colour of microtube lamp + diffuser colour

### 16446 - Prismatic indicator unit

230 V~ 3 W max, 14770, 14771, 14776 and 14777 lamps

### Conformity to Standards

LV Directive



## Acoustic and optical signalings

### Prismatic indicator unit

<b>16433</b>	<b>.B</b>	Prismatic indicator unit for $\varnothing$ 6.3x28 mm or $\varnothing$ 7x31 mm lamp, white diffuser. Supplied without lamp
<b>16433.V</b>	<b>.B</b>	As above, green diffuser
<b>16433.R</b>	<b>.B</b>	As above, red diffuser
<b>Δ 16433.A</b>	<b>.B</b>	As above, orange diffuser



**16433**  
grey



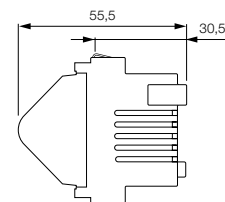
**16433.B**  
white



**16433.V**  
grey



**16433.V.B**  
white



**16433.R**  
grey



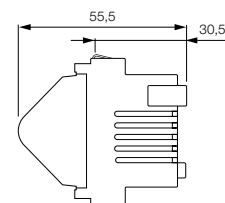
**16433.R.B**  
white



**16433.A**  
grey



**16433.A.B**  
white



### Prismatic indicator unit

<b>16446</b>	Prismatic indicator unit, 230 V~, 3 W max, for 14770, 14771, 14776 and 14777 lamps, white diffuser - 3 modules Supplied without lamp
--------------	---



**16446**

