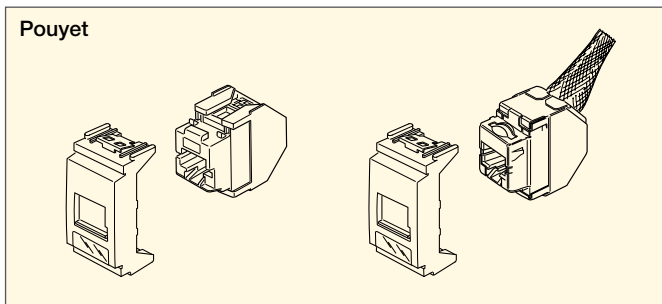
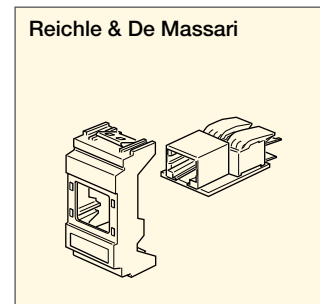
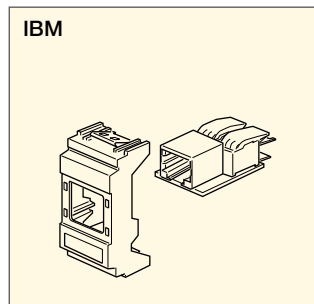


Signal reception socket outlets - TECHNICAL CHARACTERISTICS

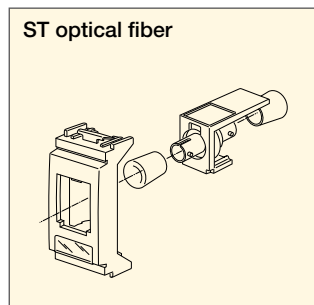
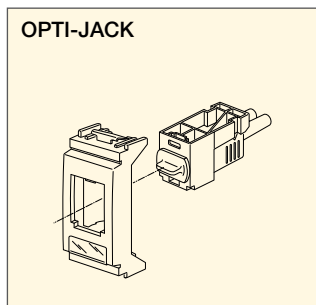
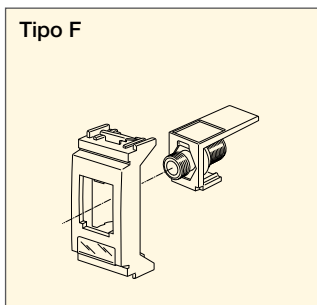
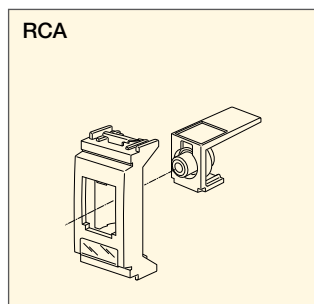
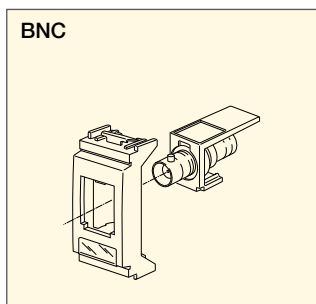
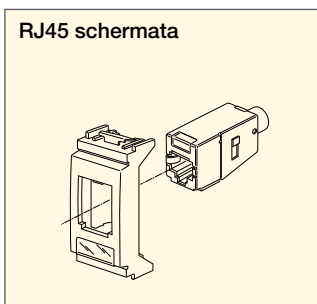
16357.C - Pouyet



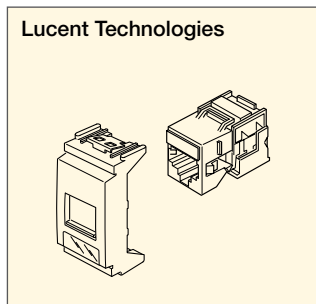
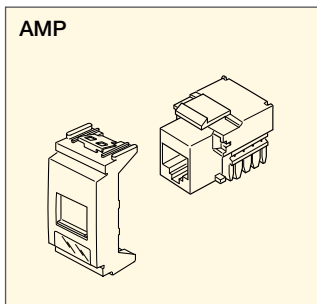
16365.C - IBM, Reichle & De Massari



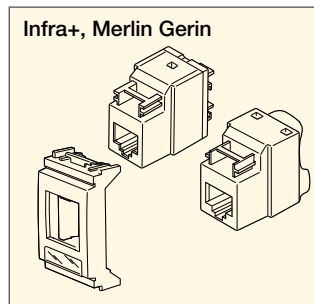
16364.C - Panduit



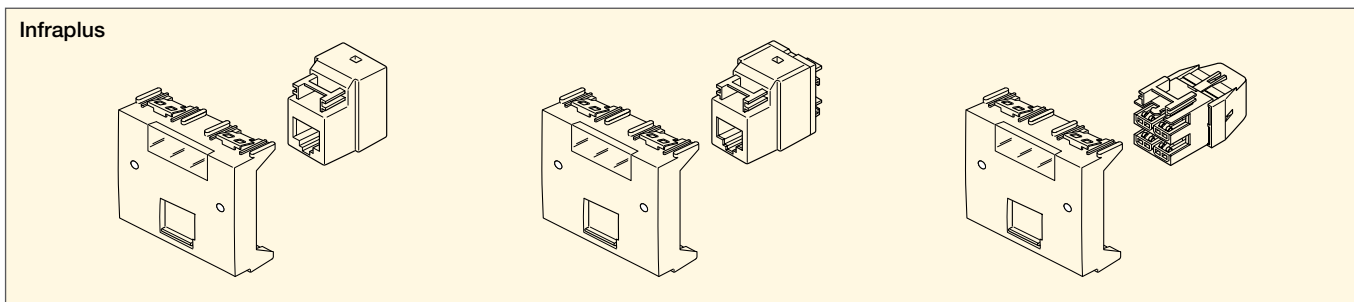
16358.C - AMP, Lucent Technologies/Avaya



16367.C



16366.C - Infra+ MULTI



Signal reception socket outlets

Adaptor for EDP connectors

Δ 16357.C .B Adaptor for RJ45 Pouyet Cat. 5 and Cat. 6 connectors

16358.C .B Adaptor for RJ45 Cat. 5 connectors:

- AMP/Tyco (Jack 110 series, Toolless Jack, Jack MTRJ)

- Lucent Technologies/Avaya/Systimax MPS100, MGS200, MGS300, MGS400 e MGS500

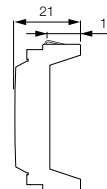
16364.C .B Adaptor for MINI-COM Panduit modules



16357.C
grey



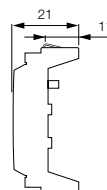
16357.C.B
white



16358.C
grey



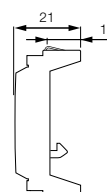
16358.C.B
white



16364.C
grey



16364.C.B
white



Adaptor for EDP connectors

16365.C .B Adaptor for RJ45 connectors of:

- R&M Freenet system

- IBM Advanced Connectivity System Type C

16366.C .B Adaptor for RJ MULTI Infra+ connectors - 2 modules

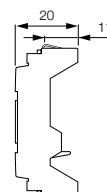
16367.C .B Adaptor for RJ45 Cat. 5e and Cat. 6 Slim of Infra+, Merlin Gerin connectors



16365.C
grey



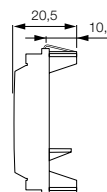
16365.C.B
white



16367.C
grey



16367.C.B
white



16366.C
grey



16366.C.B
white

