

TV-RD-SAT 5-2400 MHz socket outlets - TECHNICAL CHARACTERISTICS

Scope

- connect user equipments to systems for the distribution of analogic or digital sound and video signals, from terrestrial, satellite or cable link, in the 5-2400 MHz frequency band
- permit the connection of a single device (e.g. TV or SAT receiver)
- can be used for satellite Internet applications and, thanks to the 5-40 MHz return channel, also for interactive functions (hotel communications and cable TV)
- a choice of single connection sockets allows the passage of d.c. current and control signals, and of through-line sockets with three different attenuation ratings, ensures optimal utilisation on any type of individual or central distribution configuration (see table overleaf).

The range

- 1 single connection socket which allows the passage of d.c. current and control signals (24 V 500 mA max)
- 3 through-line sockets with:
 - connection attenuation 10 dB
 - connection attenuation 15 dB
 - connection attenuation 20 dB

The through-line sockets can become end-of-line sockets if "closed" with the special terminal resistor 16330. They allow d.c. current and control signals (24 V 500 mA max) to pass through the line, **but not to the user port** (IEC 60169-2 male connector).

Some examples of supported system topologies

Multiple socket outlets in cascade

Multiple parallel connected socket outlets

Combined cascade/parallel connected

Multi-switch for satellite signal distribution

Multi-switch for combined terrestrial and satellite signal distribution

Combined cascade/parallel with IF-IF conversion unit for single-cable distribution of combined terrestrial and satellite signals

Combined cascade/parallel with modular unit for feeding terrestrial and satellite programs in the 40-862 MHz band (terrestrial)

Technical specifications

- frequency range: 5-2400 MHz
- output: IEC 60169-2 male connector
- return channel in 5-40 MHz band
- shielding efficiency: A class
- cable dimensions:
 - internal wire \varnothing 3 mm max
 - external insulating sheath: \varnothing 5-7 mm

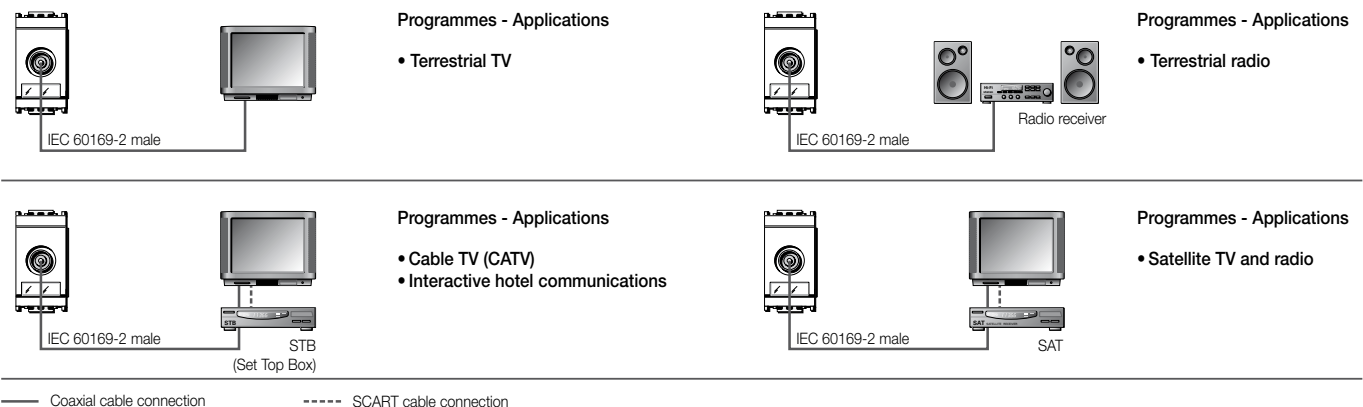
Conformity to Standards

EN 50083-1, EN 50083-4 Standards
EMC Directive
EN 50083-2 Standard

Attenuations

Socket type	Attenuation type	Frequencies (MHz)					
		5-40	40-470	470-862	862-950	950-1750	1750-2400
Single connection 1 dB	Connection attenuation (dB)	0,1	0,2	0,3	0,3	0,5	0,7
	Throughpass attenuation (dB)	11,5	10	10	10	10	11,5
Through-line 10 dB	Connection attenuation (dB)	15	15	15	15	15	15
	Throughpass attenuation (dB)	0,8	0,8	0,8	0,9	1,1	1,4
Through-line 15 dB	Connection attenuation (dB)	20	20	20	20	20	20
	Throughpass attenuation (dB)	0,8	0,5	0,7	0,8	1	1,3

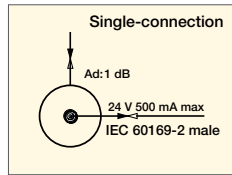
How to connect



TV-RD-SAT 5-2400 MHz socket outlets

Coaxial TV-RD-SAT 5-2400 MHz socket outlet

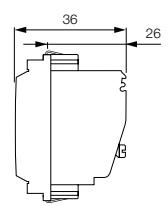
16306.01 .B Coaxial TV-RD-SAT 5-2400 MHz socket outlet, single connection, with IEC 60169-2 male connector, connection attenuation 1 dB. Allows the passage of d.c. current and control signals (24 V 500 mA max)



16306.01
grey



16306.01.B
white

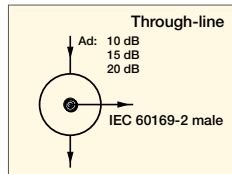


Coaxial TV-RD-SAT 5-2400 MHz socket outlet

16306.10 .B Coaxial TV-RD-SAT 5-2400 MHz socket outlet, through-line, with IEC 60169-2 male connector, connection attenuation 10 dB

16306.15 .B As above, connection attenuation 15 dB

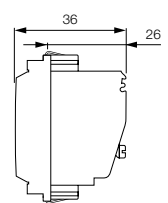
16306.20 .B As above, connection attenuation 20 dB



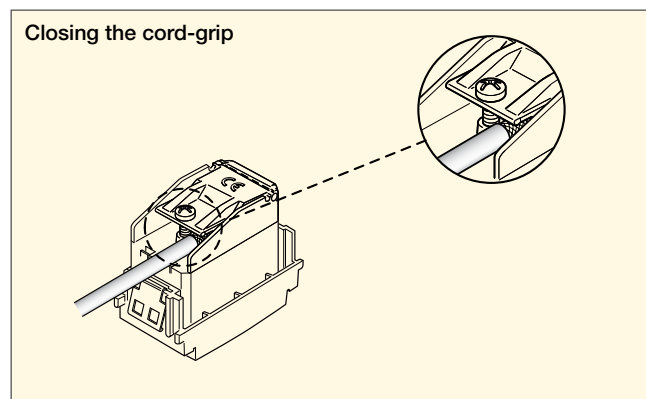
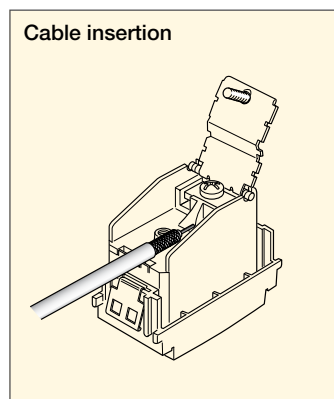
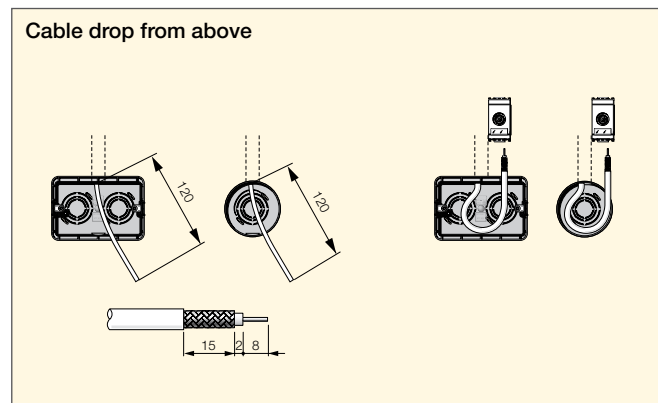
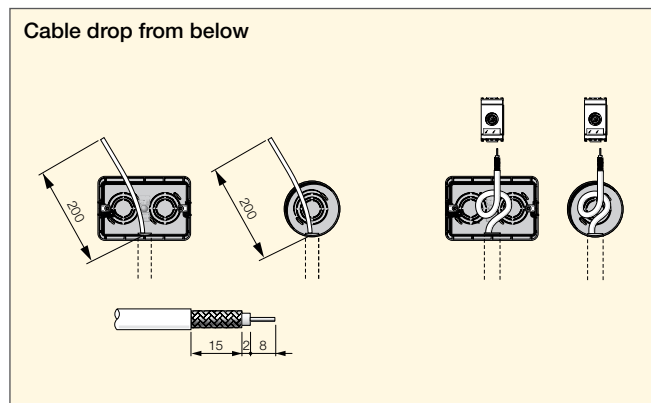
16306.10
16306.15
16306.20
grey



16306.10.B
16306.15.B
16306.20.B
white



TV-RD-SAT through-line socket outlet installation



Socket outlets

Other standard socket outlet

17038	.B	2P+E 16 A 250 V~ SICURY socket outlet, German standard - 2 reduced modules
17042	.B	2P+E 16 A 250 V~ SICURY socket outlet, French standard - 2 reduced modules
*17044	.B	2P 15 A 250 V~ socket outlet, polarized Euro-American standard (for plugs with parallel and in-line pins and ø 4,8 mm pins)



17038
grey



17038.B
white



17042
grey



17042.B
white



17044
grey



17044.B
white

Technical specifications,
page 160

Coaxial TV-RD-SAT 5-2400 MHz socket outlet

17066.01	.B	Coaxial TV-RD-SAT 5-2400 MHz socket outlet, single-connection, with IEC 60169-2 male connector, connection attenuation 1 dB. Allows the passage of d.c. current and control signals (24 V 500 mA max).
17066.10	.B	Coaxial TV-RD-SAT 5-2400 MHz socket outlet, through-line, with IEC 60169-2 male connector, connection attenuation 10 dB
17066.15	.B	As above, connection attenuation 15 dB
17066.20	.B	As above, connection attenuation 20 dB
17070.05	.B	Coaxial TV-RD-SAT 5-2400 MHz socket outlet, single-connection, 2 outputs with IEC 60169-2 male and female connectors, connection attenuation 5 dB - 2 reduced modules. Allows the passage of d.c. current and control signals (24 V 500 mA max) through the female connector
17070.10	.B	Coaxial TV-RD-SAT 5-2400 MHz socket outlet, through-line, 2 outputs with IEC 60169-2 male and female connectors, connection attenuation 10 dB - 2 reduced modules
17070.15	.B	As above, connection attenuation 15 dB
17070.20	.B	As above, connection attenuation 20 dB



17066...
grey



17066...B
white



17070...
grey



17070...B
white

Technical specifications,
pages 176-178

Coaxial TV 40-862 MHz socket outlet

Δ*17050	.B	Coaxial TV socket outlet, single connection, with IEC 60169-2 female connector
Δ*17050.S	.B	Coaxial TV socket outlet, single connection, with IEC 60169-2 female connector, 2 cord-grips
Δ*17051	.B	Coaxial TV socket outlet, through-line, with IEC 60169-2 female connector, throughpass attenuation 3 dB, connection attenuation 20 dB
Δ*17052	.B	Coaxial TV socket outlet, line-end, with IEC 60169-2 female connector, connection attenuation 20 dB



17050
17050.S
17051
17052
grey



17050.B
17050.S.B
17051.B
17052.B
white

Technical specifications,
page 180