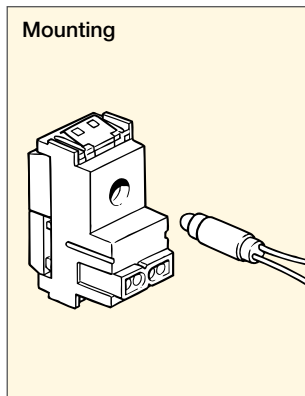


Switches - TECHNICAL CHARACTERISTICS

Push button + indicator unit for signalling unit



A 1,5 μ F 400 V~ capacitor should be connected in parallel to neon or fluorescent signalling units to avoid self-ignition in special circuits

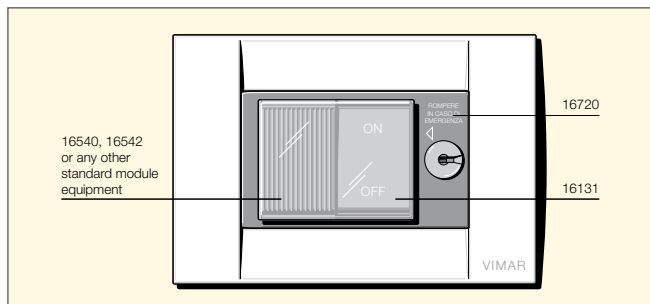
Technical specifications of signalling units

Colour of emitted light	Article	Type	Supply voltage	W	Colour of signalling unit	Colour of diffuser
white	10490	incandescence	12 V	0,5 W max	white	white
white	10491	incandescence	24 V	0,5 W max	white	white
orange	10490	incandescence	12 V	0,5 W max	white	orange
orange	10491	incandescence	24 V	0,5 W max	white	orange
red	10492	neon	110 V~	0,5 W max	red	red
red	10493	neon	250 V~	0,5 W max	red	red
green	Δ 10492.V	fluorescence	110 V~	0,5 W max	green	green
green	10493.V	fluorescence	250 V~	0,5 W max	green	green
blue	Δ 10492.AZ	fluorescence	110 V~	0,5 W max	blue	white
blue	10493.AZ	fluorescence	250 V~	0,5 W max	blue	white

Colour of emitted light: colour of signalling unit + colour of diffuser

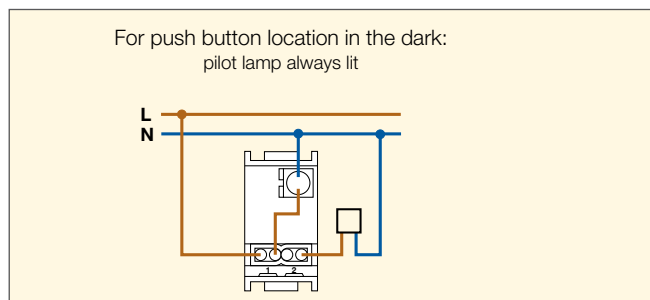
16131 - Special switches 250 V~

1-way switch 16131 can be used as emergency switch for lifts and elevators in residential and similar buildings, if installed on mounting frame 16720 with lockable door and replaceable, breakable glass frontal lid.



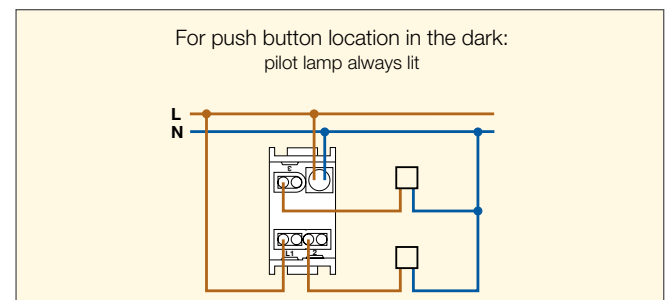
16092 - Special switches 250 V~

Wiring diagram of the luminous 1P NC push button with 110 V~ or 250 V~ signalling unit



16093 - Special switches 250 V~

Wiring diagram of the luminous 1P NC change-over push button with 110 V~ or 250 V~ signalling unit



Switches

Additional 1P push button 250 V~

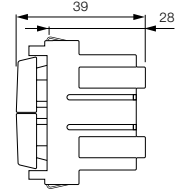
16121 .B Two 1P NO + 1P NO 10 A independent push buttons.
They allow the simultaneous closing of the two circuits and are thus not suitable for reversing motores (rollers, gates, etc.)



16121
grey



16121.B
white



Additional 1P push button 250 V~ with indicator unit

16126.B .B 1P NO 10 A push button + indicator unit for signalling unit, white diffuser. Provided without signalling unit
16126.V .B As above, green diffuser
16126.R .B As above, red diffuser
16126.A .B As above, orange diffuser



16126.B
grey



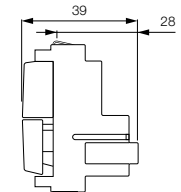
16126.B.B
white



16126.V
grey



16126.V.B
white



16126.R.B
grey



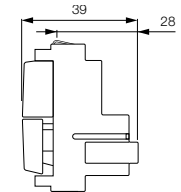
16126.R.B
white



16126.A
grey



16126.A.B
white



Special switch 250 V~

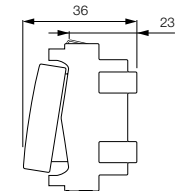
16131 .B 16 AX switch, 1P NO + 1P NC independent contacts with single button
16092 .B 1P NC 10 A push button, general symbol, luminous, for signalling unit. Provided without signalling unit
Δ 16093 .B 1P 10 A change-over push button, general symbol, luminous, for signalling unit. Provided without signalling unit



16131
grey



16131.B
white



16092
grey



16092.B
white



16093
grey



16093.B
white

