

Orientable supports - TECHNICAL CHARACTERISTICS

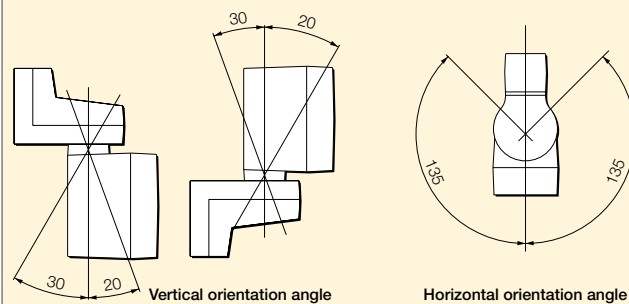
Orientable support

For passive infrared presence detector, sized 2 modules

Technical specifications

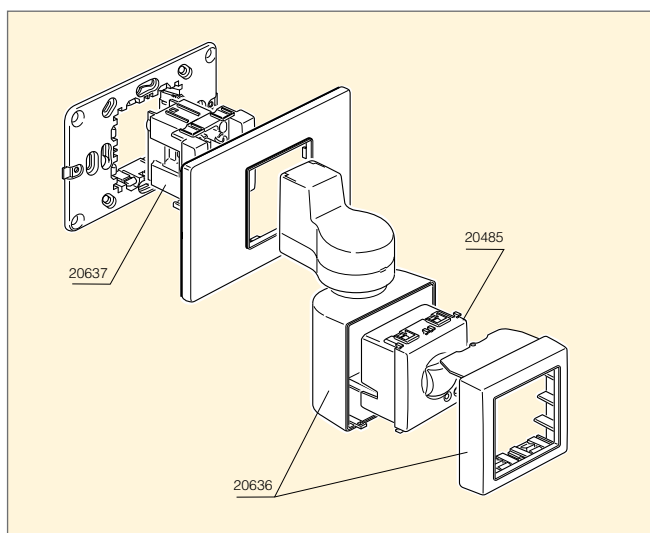
- allows flush (with adaptor) mounting in \varnothing 60 mm and rectangular mounting boxes and surface mounting (with frame).
- the supports may be either vertically and horizontally oriented as shown overleaf.
- tamperproof against unauthorized removal is guaranteed by means of 16897.S tamperproof kit.

Orientation possibilities

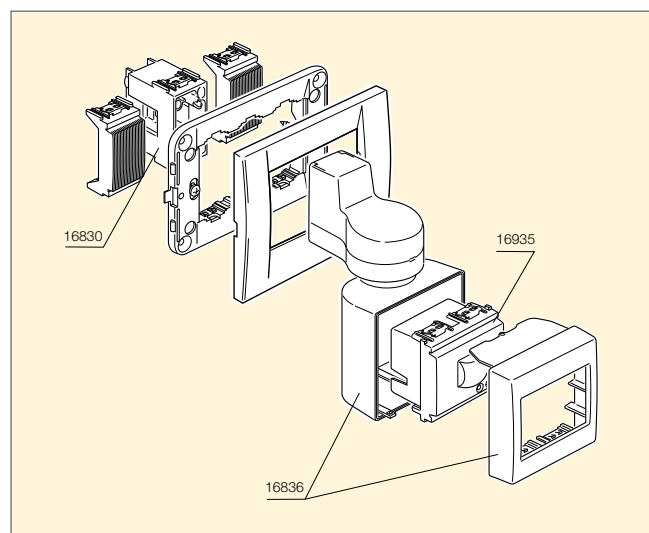


Orientable support installation

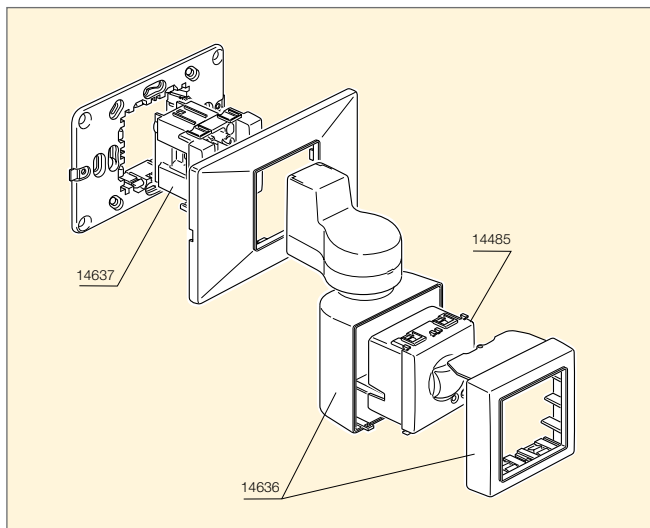
Example of Eikon flush mounting



Example of Idea flush mounting



Example of Plana flush mounting



Orientable supports

Orientable support

Orientable support - 2 modules

EIKON



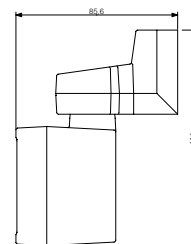
20636
grey



20636.B
white



20636.N
Next



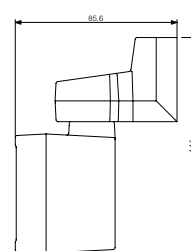
IDEA



16836
grey



16836.B
white



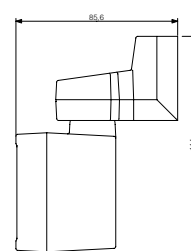
PLANA



14636
white



14636.SL
Silver



Adaptor for flush mounting orientable support

Adaptor for flush mounting orientable support

EIKON



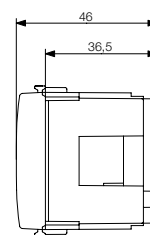
20637
grey



20637.B
white



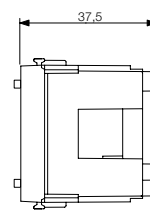
20637.N
Next



IDEA



16830
grey



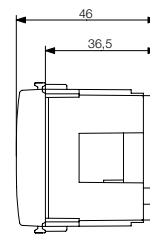
PLANA



14637
white



14637.SL
Silver



Side views show the overall dimensions and the flush depth in mm