


## Devices - TECHNICAL CHARACTERISTICS

### SLAVE dimmer

This device enables the regulation of the voltage to connected loads through a synchronism signal from the MASTER dimmer actuators for SLAVE dimmers.

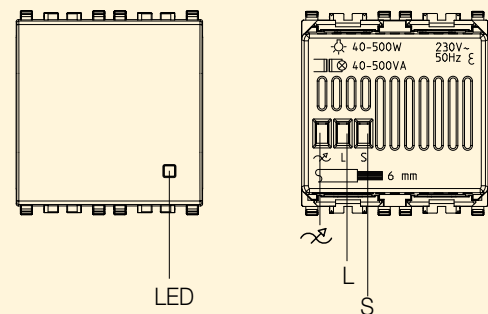
### Technical specifications

- supply voltage: 230 V~
- connection terminals:  load, **L** phase, **S** synchronism
- controllable loads:
  - incandescent lamps: 40-500 W
  - ferromagnetic transformers: 40-500 VA
  - electronic transformers: VIMAR 01860.60 (max 240 VA)
  - electronic transformers: VIMAR 01860.105 (max 300 VA)
- operating temperature: -5 °C +45 °C (for indoor use)

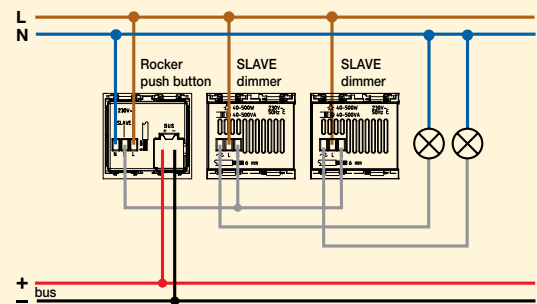
### Conformity to Standards

LV Directive, EMC Directive  
EN 60669-2-1 Standards.

Front view and connections



Wiring diagram of SLAVE dimmer from rocker push button



## SLAVE dimmer

SLAVE dimmer, supply voltage 230 V~ 50 Hz for 40-500 W incandescent lamps, 40-500 VA ferromagnetic transformers, 40-300 VA dedicated electronic transformers, control from 01853, 14528, 14548, 16968, 16988, 20528, 24548, protection fuse and blow-out indicator - 2 modules

### EIKON



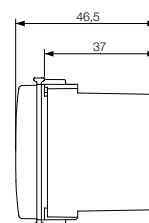
**20536**  
grey



**20536.B**  
white



**20536.N**  
Next



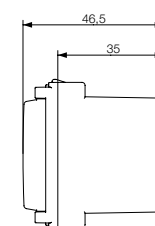
### IDEA



**16976**  
grey



**16976.B**  
white



### PLANA



**14536**  
white



**14536.SL**  
Silver

