

Comfort - TECHNICAL CHARACTERISTICS

3-module timer-thermostat

Scope

Suitable for the control of ambient temperature (heating and air conditioning) through action on supply circuit of burners or of water circulation pumps (heating) or on the air-conditioners supply circuit (air conditioning). The programming is simple and intuitive assisted by interactive menus (all instructions shown on the display), using the 4 buttons on the front.

The display shows the ambient temperature, the day of the week, the current time and the operating state in execution.

It is possible to remote control timer-thermostat from a phone dialler to switch on and off of the system.

Conformity to Standards

DLV Directive

EMC Directive

EN 60730-1, EN 60730-2-7, EN 60730-2-9 Standards

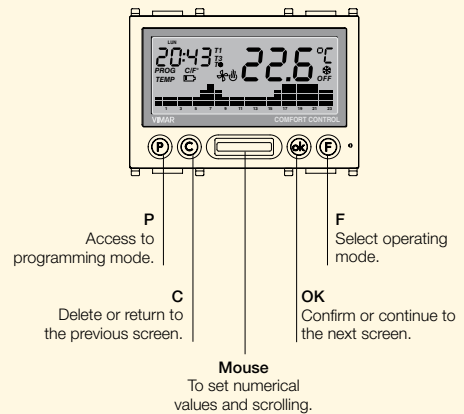
Technical specifications

- supply: 3 V d.c. through 2 AA LR6 1,5 V batteries (not supplied)
- battery life: over a year.
- output: 5(2) A 250 V~ change-over relay
- Removable display (supplied with CR2032 buffer battery)
- Adjustment type: ON/OFF.
- Displayed temperature update: every 20 s.
- Room temperature display: 0 °C +40 °C.
- Reading resolution: 0.1 °C.
- Settings resolution: 0.1 °C
- Reading accuracy:
 - $\leq \pm 0,5$ °C between +15 °C and +30 °C;
 - $\leq \pm 0,8$ °C at the extremes.
- Temperature differential: adjustable from 0.1 °C to 1 °C.
- Adjustment range:
 - +4 °C - +15 °C on antifreeze;
 - +5 °C - +35 °C on heating or air conditioning.
- Clock error: $\leq \pm 1$ s a day.

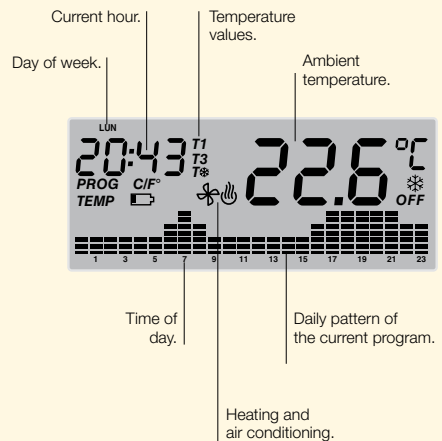
Main functions

- hourly temperature setting;
- 3 programmable temperature levels for heating + 3 temperature levels for air conditioning + 1 antifreeze level
- weekly programming;
- 1 user configurable programs (for heating and air conditioning);
- possibility of overriding the program to modify the temperature manually;
- antifreeze function;
- possibility of timed switch off;
- possibility of switch on/off through a phone dialler;
- display in Celsius or Fahrenheit degrees;

14446 - Front view



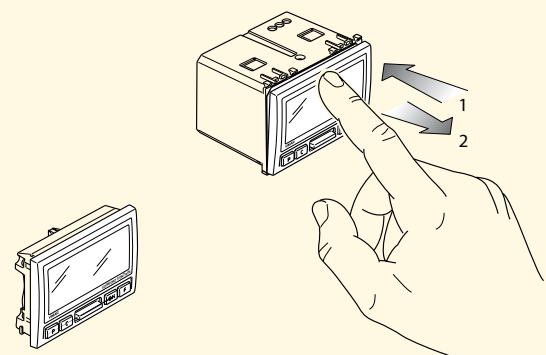
14446 - Example of programming



Removing display

The front display of the timer-thermostat is removable in order to modify the settings and the programming also with the device extracted from its seat.

Removable front display



3-module electronic timer-thermostat

14446 .SL Electronic timer-thermostat for ambient temperature control (heating and air conditioning), 24h/7 day programming, ON/OFF status remote control output by phone dialler, 5(2) A 250 V~ change-over relay output, supply with AA LR6 1,5 V batteries (supplied) - 3 modules.

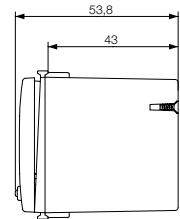
Not suitable for installation in Isoset IP44 and IP55 enclosures



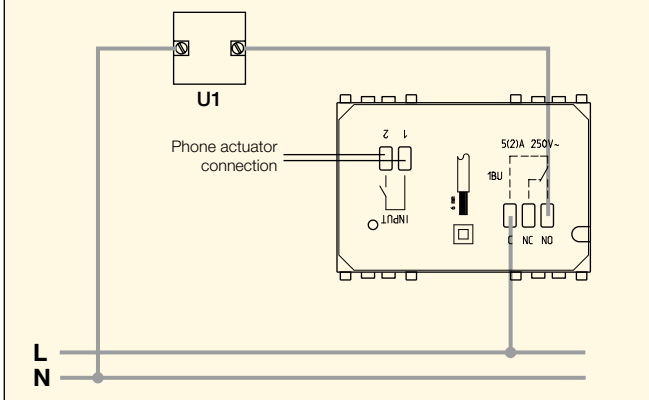
14446
white



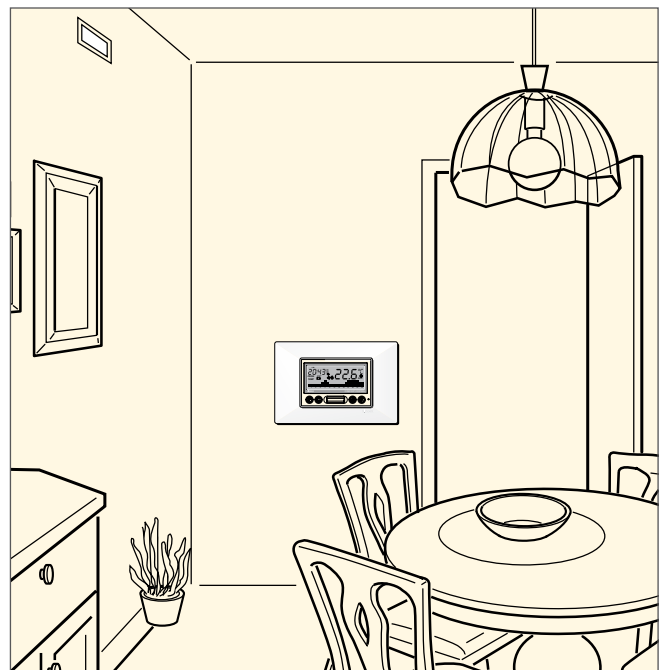
14446.SL
Silver



Wiring diagram with water circulation pumps, burners, solenoid valves and remote control by phone dialler



14446 - Example of use



Wiring diagram with motor-operated valves.

