

## Comfort - TECHNICAL CHARACTERISTICS

### 2-module timer-thermostat

#### Scope

Suitable for the control of ambient temperature (heating and air conditioning) through action on supply circuit of burners or of water circulation pumps (heating) or on the air-conditioners supply circuit (air conditioning). The programming is simple and intuitive assisted by interactive menus (all instructions shown on the display), using the 4 buttons on the front.

It is possible to remote control timer-thermostat from a phone dialler to switch on and off of the system.

#### Conformity to Standards

LV Directive

EMC Directive

EN 60730-1, EN 60730-2-7, EN 60730-2-9 Standards

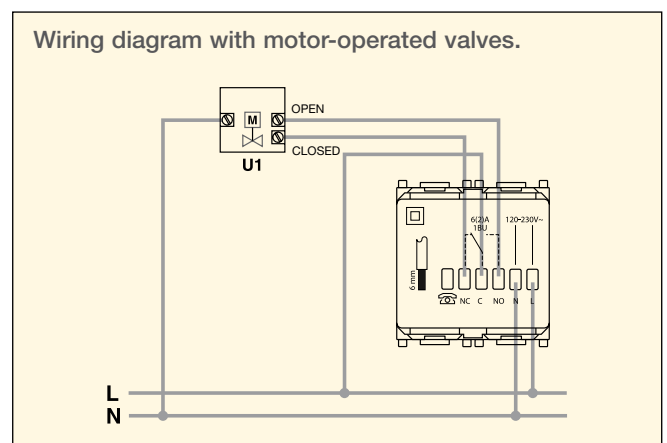
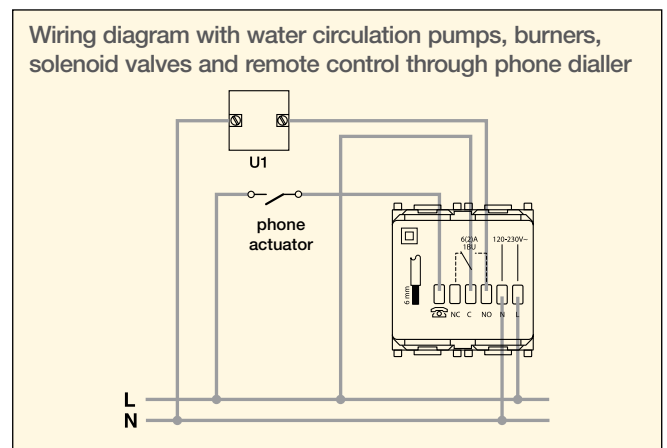
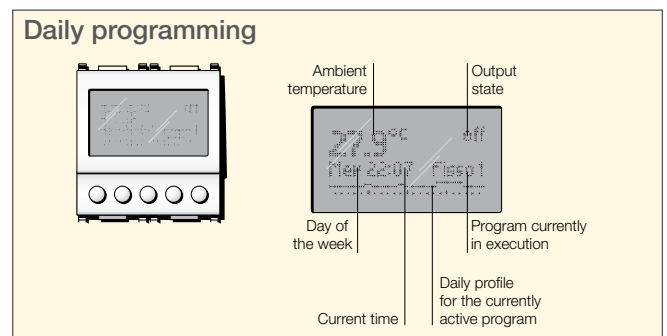
#### Technical specifications

- Supply voltage: 120-230 V~± 10% 50-60 Hz
- Max absorption: 1 W.
- Clock backup battery duration: about 7 days, with rechargeable lithium buffer battery.
- EEPROM data memory
- Output: 6(2) A 230 V~ change-over relay
- Operating temperature: +4 °C - 15 °C in antifreeze, +5 °C in heating and air/conditioning
- Regulation type: ON/OFF
- Timed back-lit display, activated by pressing one of the 4 frontal buttons
- Multilanguage menu (Italian/English/French/Spanish/German)
- Ambient temperature display: 0 °C +40 °C
- Temperature sampling frequency:
  - every 5 s, with an average of the values acquired in 20 s
  - instantaneous, in the event of a parameter being changed by the user
- Updating of display: every 20 s
- Resolution of reading: 0,1 °C
- Resolution of settings: 0,1 °C
- Precision of the reading in heating mode:
  - ≤ ±0,5 °C between +15 °C and +25 °C
  - ≤ ±0,8 °C at the temperature extremes
- Precision of the reading in air conditioning mode:
  - ≤ ±0,5 °C between +20 °C and +30 °C
  - ≤ ±0,8 °C at the temperature extremes
- Software setting: possibility of compensating the temperature reading with a software offset (±3 °C max) to adapt the measurement to the specific installation conditions
- Hysteresis: adjustable between 0,1 °C and 1 °C
- Clock accuracy: ≤ ±15 s per day
- Thermostat operating range:
  - +4 °C - +15 °C in antifreeze mode;
  - +5 °C - +35 °C in heating or cooling mode.
- Clock accuracy: ≤ ±1 s a day.

#### Main functions

- hourly temperature settings in 20-minute steps;
- 3 programmable temperature levels each for heating and air conditioning;
- weekly programming;
- 2 fixed programs and 2 user configurable programs (both for heating and air conditioning);
- possibility of overriding the program to vary the temperature
- programs retained even in the event of a power outage;
- antifreeze function;

- possibility of timed switch off;
- turn on and off with a phone dialler;
- self-diagnostic functions: automatically activated at regular intervals during normal operation, to check the state of the temperature probe, the state of the display driver, the efficiency of the EEPROM memory, the efficiency of the backup stage;
- button lockout function with 3-digit PIN number to prevent unauthorised access to all the device functions and programs (for example, when installed in a public place)



### 2-module electronic timer-thermostat

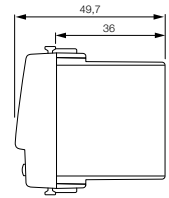
**14445 .SL** Electronic timer-thermostat for ambient temperature control (heating and air conditioning) 24h/7 day programming, remote control activation/deactivation output by phone dialler, 6(2) A 230 V~ change-over relay output, supply voltage 120-230 V~ 50-60 Hz - 2 modules



**14445**  
white



**14445.SL**  
Silver



### 14445 - Example of use

