

Acoustic and optical signalling - TECHNICAL CHARACTERISTICS

Emergency lighting fitting

Scope

Independent emergency lighting for residential and service areas; it lights on when the power is cut. In the event of a black-out, it can also be used to light dangerous areas (stairs, angles, etc.) and obstacles.

Suitable for use in:

- homes (entrance, near consumer unit, corridors, stairs)
- offices (meeting rooms, service areas)
- hotels (rooms, corridors, stairs)
- hospitals and clinics (wards, corridors, stairs)

Conformity to Standards

LV Directive

EN 60598-1, EN 60598-2-22, EN 60598-2-2 Standards

EMC Directive

EN 61547, EN 61000-3-2, EN 61000-3-3, EN 55015 Standards

Technical specifications

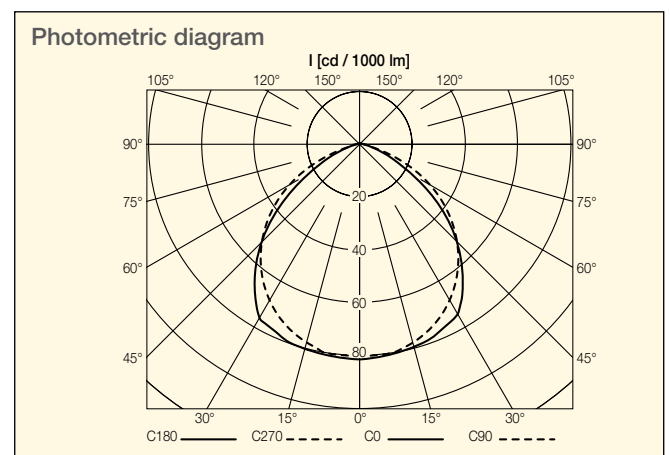
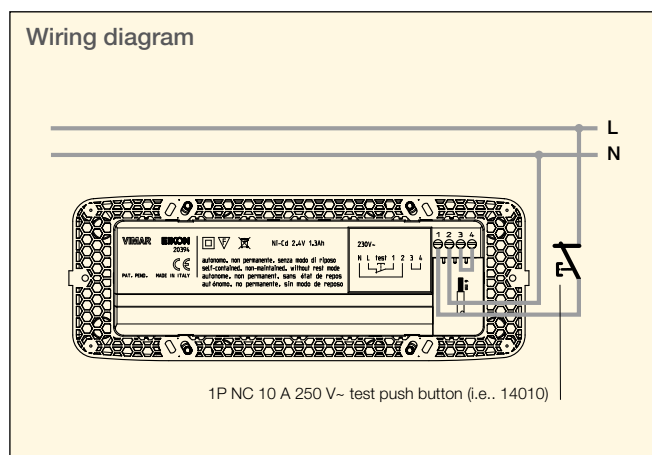
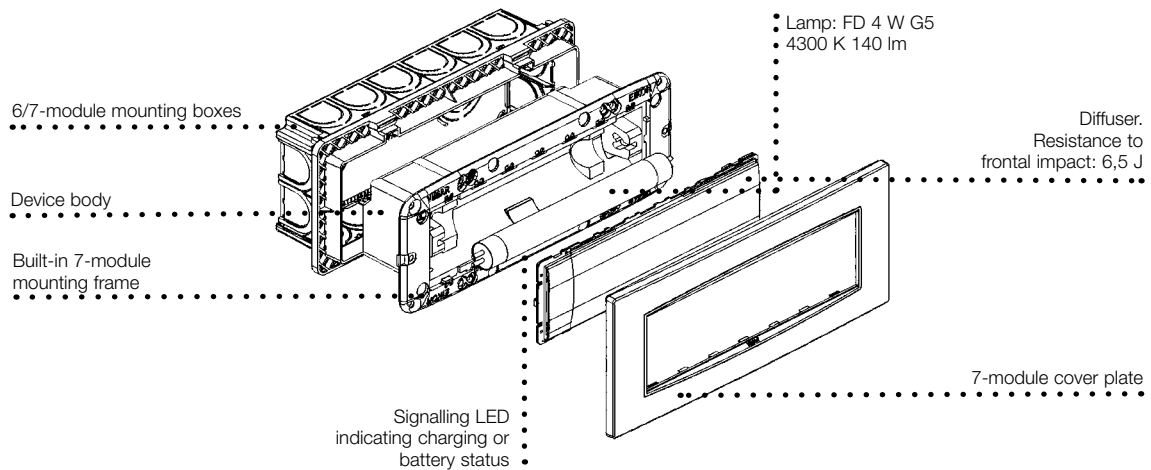
- supply voltage:
 - **14394**: 230 V~
 - **14393**: 120 V~
- lamp: FD 4 W G5 4300 K 140 lm
- rechargeable and replaceable Ni-Cd 2,4 V 1,3 Ah battery
- protection fuse: 2 A delayed (T) \varnothing 5x20 mm
- luminous flux Φ : 29 lumen
- operating time: 1 h

- battery recharging time: 12 h
- LEDs indicating the state of the charge and battery: see table "LEDs state"
- built-in 6/7-module mounting frame to complete with cover plate
- self-extinguishing body
- resistance to frontal impact: 6,5 J
- installable on 6/7-module V71306, V71306.AU and V71616 mounting boxes or by main manufacturers
- installable at a height of 2,2 m and 20 cm from the floor level
- protection degree: IP40
- class: II
- installable also on normally flammable surfaces

LEDs state

	green LED	red LED
Device supply		
Device supplied and battery charged		
Battery recharging		
Device supplied and battery charged		
Battery voltage beneath the min. charging threshold		
Battery disconnected or fuse burn out		
Battery to be replaced		

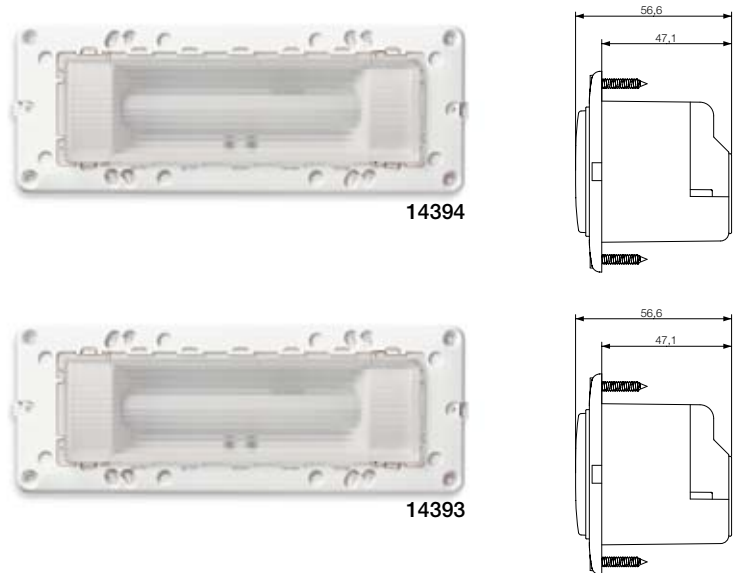
LED on
 Flashing LED
 LED off



Acoustic and optical signalling

Emergency lighting fitting

- | | |
|--------------|--|
| 14394 | Emergency lighting fitting, supply voltage 230 V~ 50-60 Hz, rechargeable Ni-Cd battery, supplied with FD 4W G5 fluorescent lamp and built-in mounting frame for 6/7-module mounting boxes. To be completed with 7-module cover plate |
| 14393 | Emergency lighting fitting, supply voltage 120 V~ 50-60 Hz, rechargeable Ni-Cd battery, supplied with FD 4W G5 fluorescent lamp and built-in mounting frame for 6/7-module mounting boxes. To be completed with 7-module cover plate |



Rechargeable battery

- | | |
|--------------|--|
| 00911 | Ni-Cd 2,4 V 1,3 Ah rechargeable battery, spare part for emergency lighting fitting |
|--------------|--|



00911

Example of use

