

Acoustic and optical signalling - TECHNICAL CHARACTERISTICS

14384 - Emergency lighting fitting

Operating

The lamp performs the function of auxiliary lighting in the event of a mains failure.

- When the mains power returns the lamp will automatically switch off and the green LED will switch on
- Battery charging takes place continuously when there is mains voltage.

Technical specifications

- supply voltage: 120-230 V~.
- luminous flux: 24 lumen.
- absorption: 0,5 W.
- 3 AAA HR03 Ni-MH 1,2 V 800 mAh batteries (supplied)
- battery charging time: 15 h
- LED appliance class: 1M (do not stare directly with optical instruments)
- operating range: 1h
- 3 white high-efficiency LEDs with prismatic diffuser; the constant current supply makes the LED to have the same brightness for the entire duration of the charge.
- 2-color green/red LED to indicate the on/off status of the auxiliary lighting function.

	green LED	red LED	Notes
Device supplied and battery charged			Maintenance charge
Battery recharging			Fast charging
Disconnected device			
Disconnected battery			



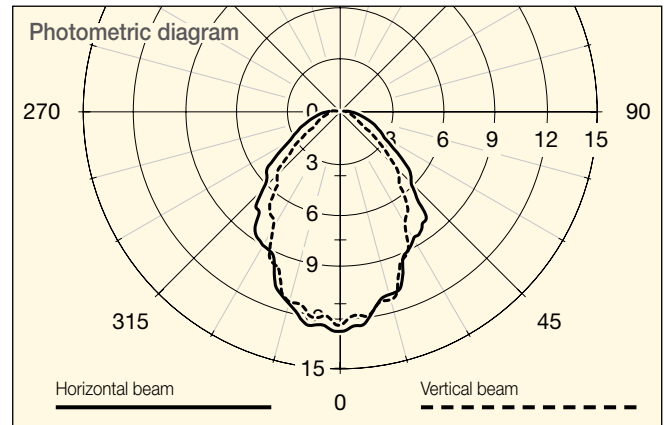
Conformity to Standards

LV Directive

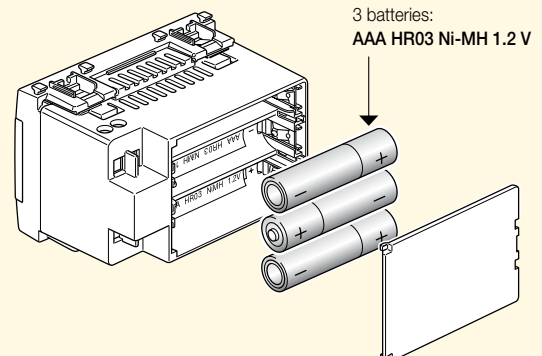
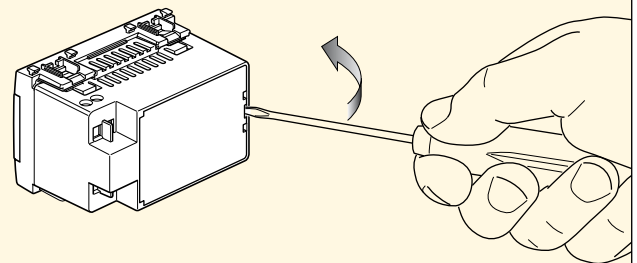
EN 60598-1, EN 60598-2-2, EN 60825-1 Standards

EMC Directive

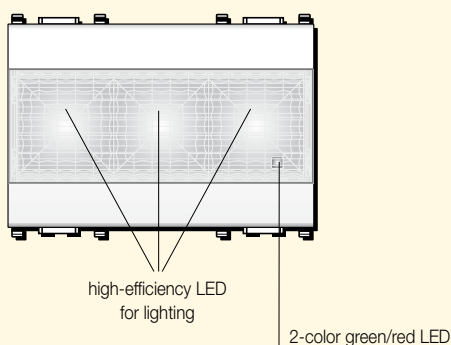
EN 61547, EN 61000-3-2, EN 61000-3-3, EN 55015 Standards



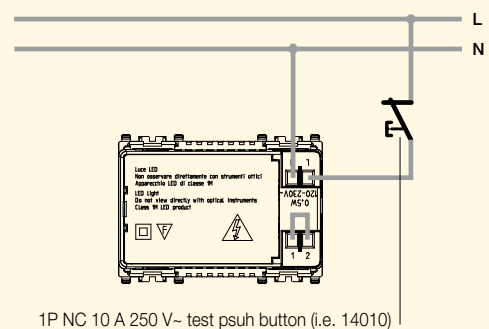
Battery replacing



Front view



Wiring diagram



Acoustic and optical signalling

Emergency lighting fitting

14384 .SL Emergency lighting fitting with high-efficiency LED, supply voltage 120-230 V~ 50-60 Hz, automatic emergency device, 3 rechargeable and replaceable AAA 1,2 V batteries, operating range of 2 hours - 3 modules



14384
white



14384.SL
Silver

