

Acoustic and optical signalling - TECHNICAL CHARACTERISTICS

Bells and buzzers

12 V bells and buzzers are to be supplied through safety isolating transformer.

Conformity to Standards

LV Directive for 14372, 14373, 14377 and 14378

Technical specifications

- D-type equipments: the sound emission has the same lasting time as the control operation
- Intermittent sound 15/60: the sound emission can last up to max 15 seconds, followed by a period at rest of 60 seconds

Three-tone electronic chime

Scope

Particularly suitable for residential, commercial and similar applications where a differentiation is necessary between external and internal calls (i.e. building door, entrance door and call from bathroom cord-operated push button).

To signal three independent calls:

- three-tone sequence: one single cycle at a time is performed (even keeping the push button pressed)
- two-tone sequence: up to 8 cycles are performed keeping the push button pressed
- constant-tonality buzz: one cycle lasting up to 20 s is performed keeping the push button pressed

Conformity to Standards

EMC Directive

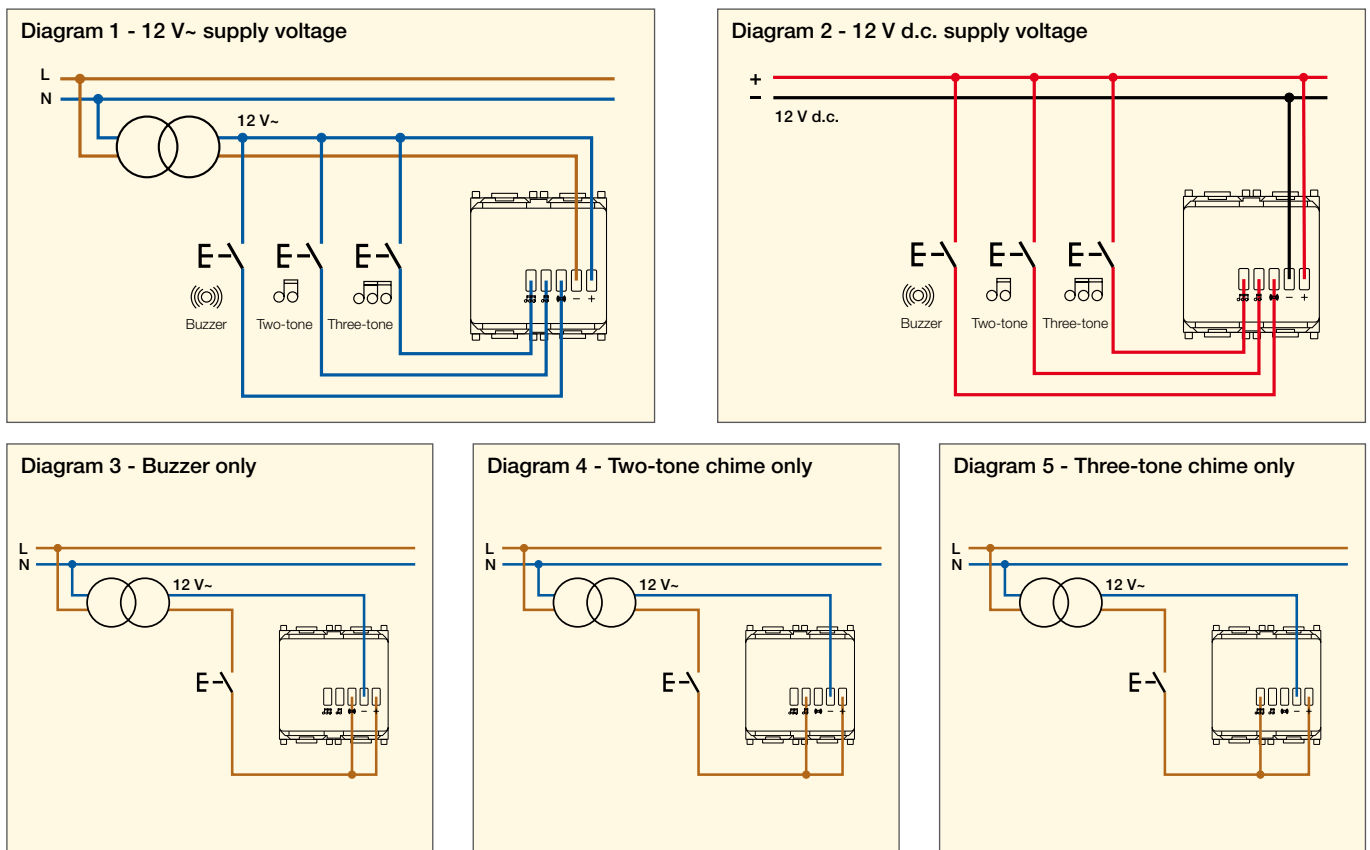
EN 61000-6-1, EN 61000-6-3 Standards

Technical specifications

- to be supplied through safety isolating transformer
- supply voltage:
 - 12 V~ ±10% 50-60 Hz
 - 12 V d.c. ±10%
- absorption: 5 VA max during operation calls about 0,5 VA at rest
- volume: 75 dB max. at 3 m for buzzer function and 70 dB for two-tone and three-tone functions, settable acting on the trimmer on the front of device.
- operations through NO push buttons to be connected as indicated either in diagram 1 or 2

If the electronic chime is used instead of a 2-wire bell, it is possible to realize the connection as indicated in diagrams 3, 4 and 5. If the three-tone or the two-tone function is used, the cycle is completed only keeping the push button pressed till the end of the cycle.

Three-tone chime wiring diagrams



Acoustic and optical signalling

Electromechanical bell

14370	.SL	Bell, 12 V~ (SELV) 50-60 Hz 8 VA
14372	.SL	Bell, 120 V~ 50-60 Hz 8 VA
14373	.SL	Bell, 230 V~ 50-60 Hz 8 VA



14370
white



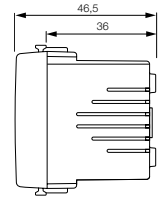
14370.SL
Silver



14372
white



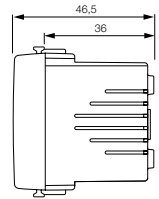
14372.SL
Silver



14373
white



14373.SL
Silver



Electronic bell

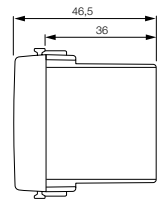
14380	.SL	3-sound-sequence electronic chime (three-, two-tone, buzzer), adjustable volume, supply voltage 12 V~ 50-60 Hz and 12 V d.c. (SELV) - 2 modules
--------------	------------	---



14380
white



14380.SL
Silver



Buzzer

14375	.SL	Buzzer, 12 V~ (SELV) 50-60 Hz 8 VA
14377	.SL	Buzzer, 120 V~ 50-60 Hz 8 VA
14378	.SL	Buzzer, 230 V~ 50-60 Hz 8 VA



14375
white



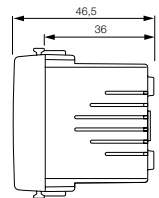
14375.SL
Silver



14377
white



14377.SL
Silver



14378
white



14378.SL
Silver

