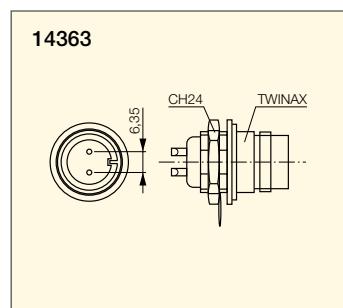
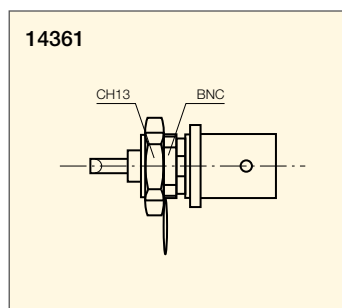
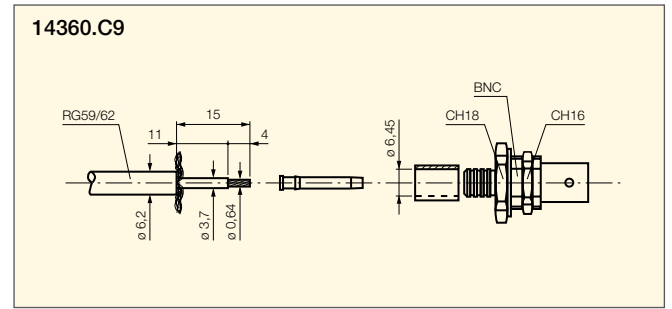
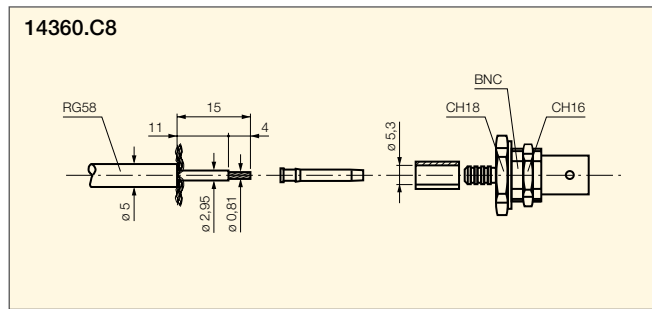


Signal reception socket outlets - TECHNICAL CHARACTERISTICS

EDP socket connectors



Signal reception socket outlets

Adaptor for EDP connectors

14338.C	.SL	Adaptor for RJ45 Cat. 5 connectors: <ul style="list-style-type: none"> • AMP/Tyco (Jack 110 series, Toolless Jack, Jack MTRJ) • Lucent Technologies/Avaya/Systimax MPS100, MGS200, MGS300, MGS400 and MGS500
14340.C	.SL	Adaptor for MINI-COM Panduit modules
14341.C	.SL	Adaptor for RJ45 Cat. 5e and 6 Slim of Infra+ and Merlin Gerin connectors



EDP socket connector

14360.C8	.SL	Bayonet type coaxial socket connector, BNC jack, for RG58 cable crimping
14360.C9	.SL	Bayonet type coaxial socket connector, BNC jack, for RG59/62 cable crimping
14361	.SL	Bayonet type coaxial socket connector, BNC jack, for RG58, RG59/62, RX93 cables soldering
Δ 14363	.SL	Screw type biaxial socket connector, TWINAX jack, for biaxial cables soldering - 2 modules
14365	.SL	9-pin socket connector, SUB D, soldering - 2 modules
14367	.SL	25-pin socket connector, SUB D, soldering - 3 modules

