

Special switches - TECHNICAL CHARACTERISTICS

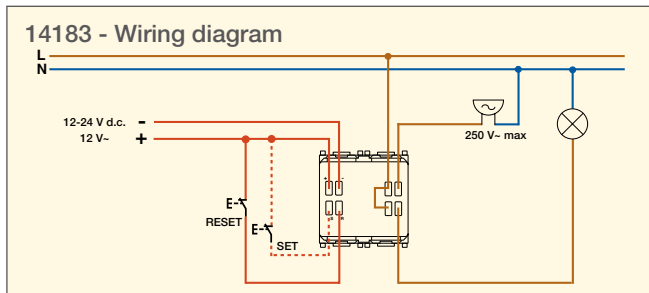
Set/Reset switch

Scope

It makes possible to develop a calling system for hospital (hospitals, rest homes, clinics) or industrial environments (factories, noisy laboratories), combined with remote optical and acoustic signalling functions to satisfy needs for assistance, intervention, emergency, etc.

Conformity to Standards

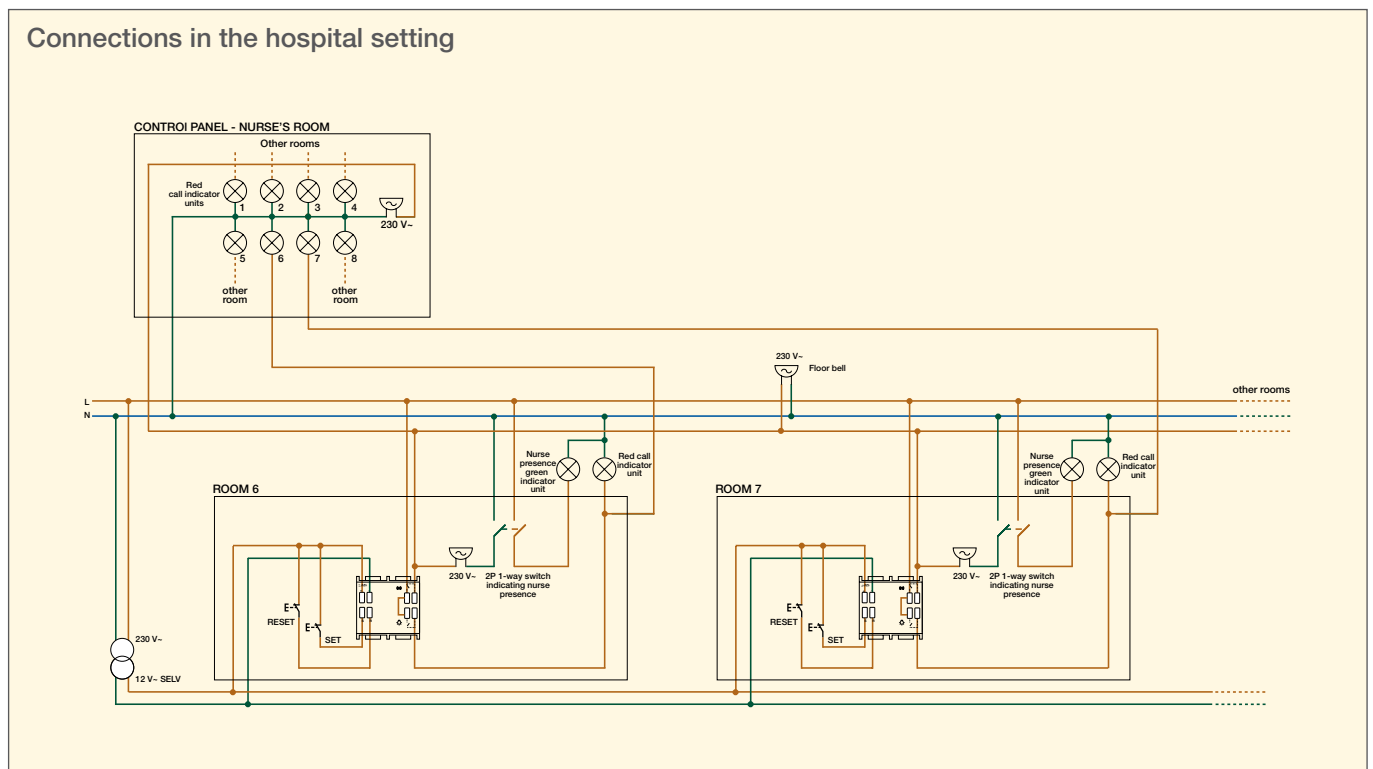
LV Directive
EMC Directive
EN 60669-2-1 Standard



Technical specifications

- supply voltage: 12-24 V d.c. / 12 V~ ±10% 50-60 Hz
- absorption: approximately 100 mA with active RL1 and RL2 alarm outputs
- front switch: SET push button
- two-color LED:
 - green: device supplied and no activated alarm
 - flashing red: alarm activated
- input:
 - normally closed connected to positive (+) terminal for SET function
 - normally closed connected to positive (+) terminal for RESET function
- RL1 alarm output: NO 5 A 250 V~ relay output with double insulation with respect to power supply and push buttons
- RL2 alarm output: NO 5 A 250 V~ relay output with double insulation with respect to power supply and push buttons
- controllable loads:
 - resistive loads I_n : 5 A
 - incandescent lamps \varnothing : 500 W
 - magnetic core transformers for very low voltage incandescent lamps (e.g. halogen lamps) $\square \otimes$: 500 W

Connections in the hospital setting



Special switches

Set/Reset switch

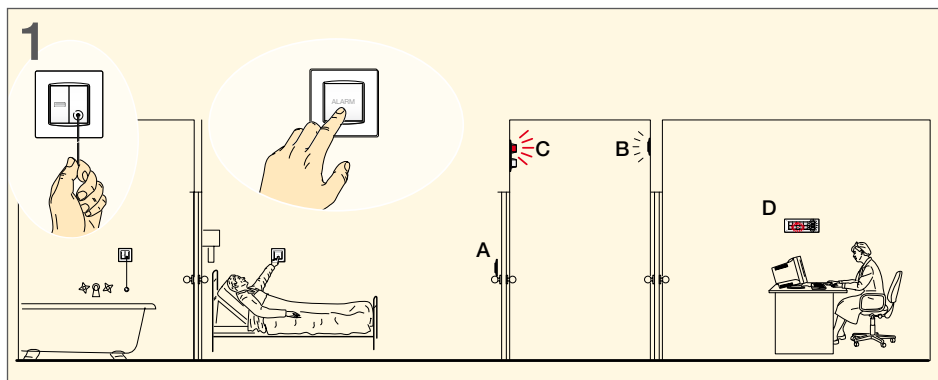
14183 .SL SET/RESET switch for emergency call system, visible in darkness, 2 NO 5 A 250 V~ relay outputs for acoustic and optical signals, supply voltage 12 V~ 50-60 Hz or 12-24 V d.c. (SELV) - 2 modules.
SET with built-in push button or from peripheral NC push buttons connected in series. RESET from peripheral NC push buttons connected in series



14183
white

14183.SL
Silver

14183 - Example of use



1) The patient makes a call by pressing the push button 14010.0+14022 ("ALARM" customized), or by pressing 14053, cord-operated push button, thereby activating:

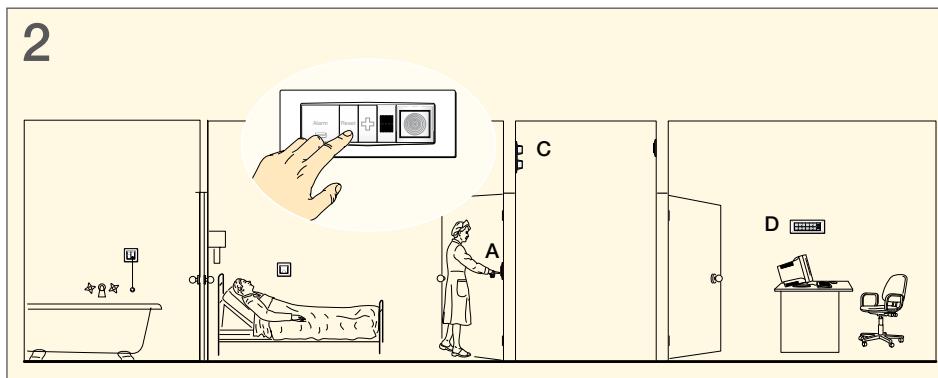
A. SET/RESET 14183 switch and its corresponding indicator unit in the patient's room

B. bell in the corridor

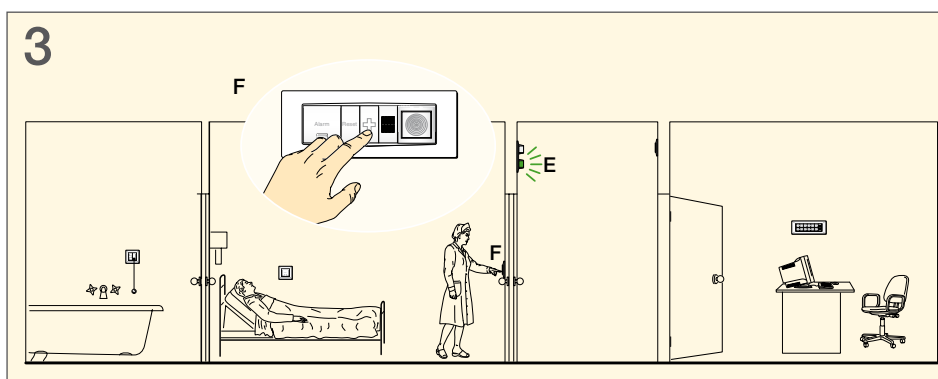
C. lights 14387.R red indicator unit in the corridor

D. lights 14386.R red indicator unit in the nurse's station and 14373 bell corresponding to the caller's number

Note: the bell B is silenced after 3 seconds; the indicator unit lights A - C - D begins flashing to confirm the call



2) The nurse who enters the patient's room resets the push button 14010 (with "RESET" customization), stopping the flashing of devices A - C - D



3) If the nurse needs to stay in the room he/she may notify thereof by activating 14015 2P 1-way switch (customized with a cross symbol) thereby:

E. light 14387.V green indicator unit in the corridor

F. enables operation of the 14378 buzzer in case of call from another room