

Infrared switches - TECHNICAL CHARACTERISTICS

14172 - Infrared receiver with 6 A 230 V~ relay output Technical specifications

- Supply voltage: 230 V~ 50-60 Hz
- Operating: monostable and bistable
- Operating status LED
- Infrared control, RC5 protocol
- Operating temperature: -5 °C - +35 °C

Controllable loads

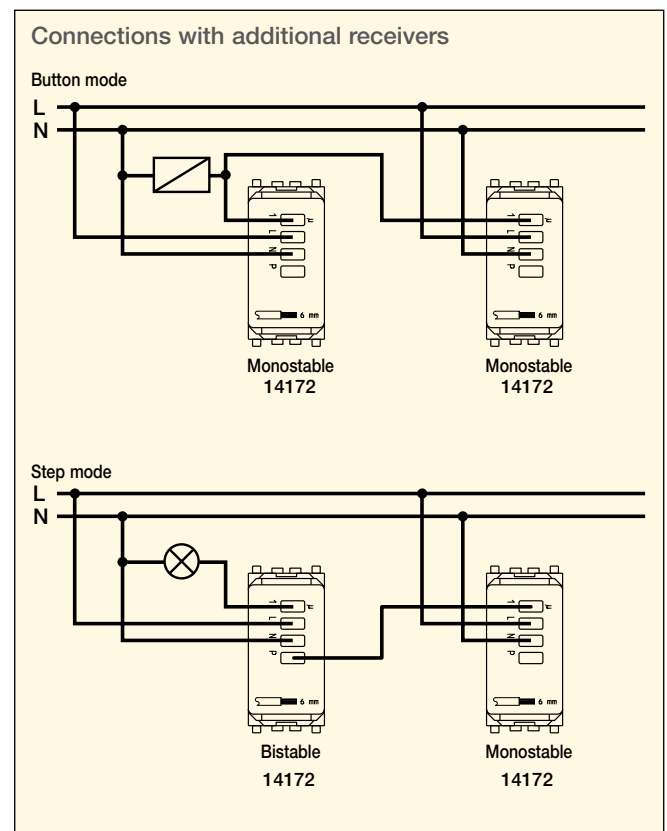
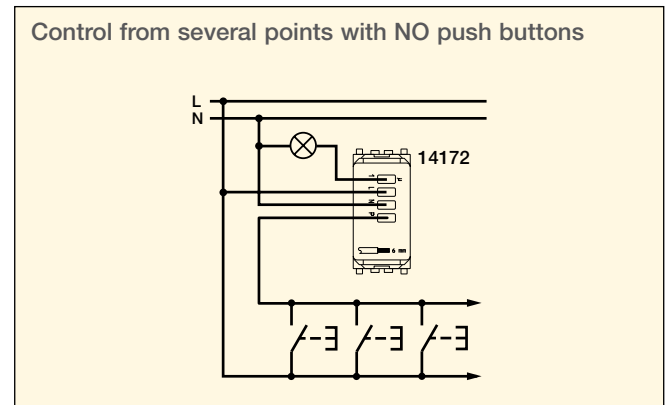
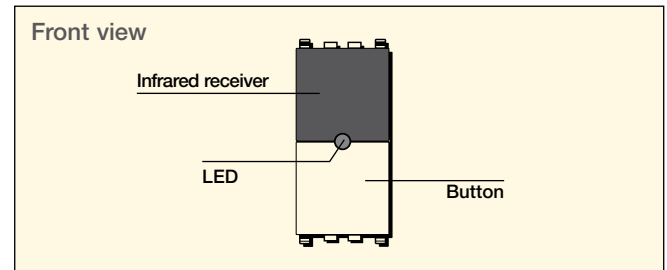
- Resistive loads \sim : 6 A
- Incandescent and halogen lamps ⊗ : 1000 W
- Ferromagnetic transformers ⏏ : 1000 VA
- Electronic transformers ⏏ : 700 VA
- Fluorescent and compact fluorescent lamps: 60 W
- Motors Ⓜ : 1,8 A $\cos\phi$ 0,6

Operating

- Switch on/off with:
 - button on the front of the device;
 - control from several point with NO push buttons (max. range 100 m); do not use push buttons with built-in indicator unit;
 - infrared operation with button on remote control.
- Operating status indication (to be set at the time of the configuration);
- Monostable mode (button mode) confirmed by LED: LED stays on steady for 10 seconds at the start, then flashes 3 times and monostable operation is enabled
- Bistable mode (step mode) confirmed by LED: LED stays off for 10 seconds at the start, then flashes 3 times and bistable operation is enabled
- Programmable flashing LED
- To increase the reception range, connect additional receivers

Conformity to Standards

LV Directive
EMC Directive
EN 60669-2-1 Standard



01849 - Remote control technical specifications

The infrared remote control operates like a little 'full option' control unit. No dip-switch to set but only 4 channels, that allow an easy setting of the receivers, through RC5 protocol transmission. This type of data capture permits the remote control to control any other appliances.

Infrared switches

Infrared receiver

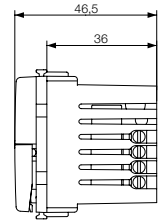
14172 .SL Infrared switch, NO 6 A 230 V~ relay output, control with built-in button, 01849 remote control or from peripheral NO push buttons, mono-or-bistable mode, visible in darkness, supply voltage 230 V~ 50-60 Hz



14172
white



14172.SL
Silver



Infrared remote control

01849 14-channel infrared remote control, supply with AAA LR03 1,5 V battery. Supplied without battery



01849