

Dimmers - TECHNICAL CHARACTERISTICS

14160 - 14161 Dimmers

Technical specifications

- Switch on, regulation and switch off through built-in push button or non-luminous NC push buttons.
- Lighting level is saved when switched off (unless there is a blackout).
- Soft start: ensures a gradual lighting from zero to maximum or preset lighting levels.
- Soft end: ensures a gradual passage from light to dark.
- Protection against short-circuit when switch on and overriding with blow-out indication
- MASTER-SLAVE function: so long as the maximum permissible load of each dimmer is not exceeded, a single MASTER dimmer can be combined with up to 4 SLAVE dimmers for a total maximum load of 2500 W (VA) corresponding to 500 W/VA max connected to each of the 5 dimmers.
- SLAVE dimmer has to be connected to a MASTER dimmer to operate.

Controllable loads

- halogen and incandescent lamps: 40-500 W 230 V~ 50 Hz.
- ferromagnetic transformers for low-voltage halogen lamps: 40-500 VA 230 V~ 50 Hz.
- electronic transformers VIMAR 01860.60 max 4, or 01860.105 max 3

Conformity to Standards


LV Directive
EMC Directive
EN 60669-2-1 Standard

14162 Dimmer

Technical specifications

- Switch on, regulation and switch off through built-in push button or non-luminous NC push buttons.
- Lighting level is saved when switched off (unless there is a blackout).
- Soft start: ensures a gradual lighting from zero to maximum or preset lighting levels.
- Soft end: ensures a gradual passage from light to dark.
- Protection against short-circuit when switch on and overriding with blow-out indication.

Controllable loads

- electronic transformers VIMAR 01860.60 max 5 or 01860.105 max 3 or capacitive response electronic transformers  : 40-300 VA 230 V~ 50 Hz (max 5 transformers).

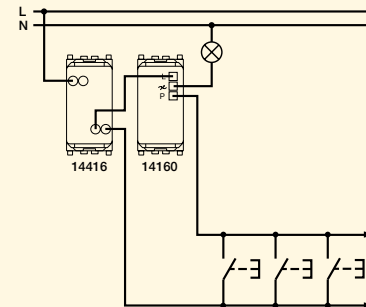
Operating

- the device is switched on and off by lightly placing a finger on the front and then taking it off.
- It is regulated by keeping your finger on the front of the device, to reverse the direction of adjustment, take your finger off and then place it back on again immediately. When maximum or minimum load is reached, regulation stops and can be inverted by taking your finger off and placing it back on again.

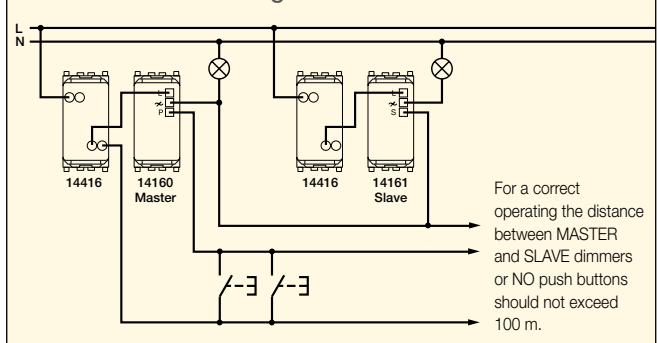
Conformity to Standards

LV Directive
EMC Directive
EN 60669-2-1 Standard

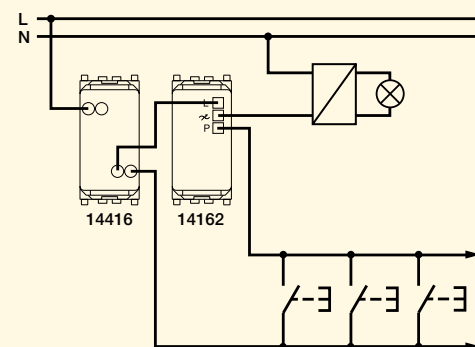
14160 - Control and regulation from several points with NO push buttons



14161 - Control and regulation with SLAVE dimmer





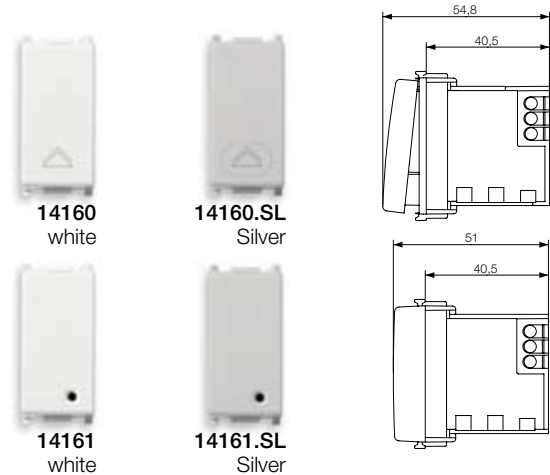
14162 - Control and regulation from several points with NO push buttons



Dimmers

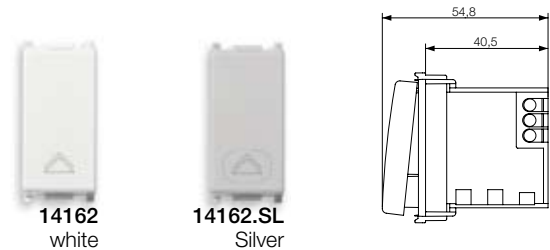
Dimmer



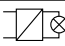

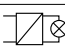

14160 .SL	Dimmer, supply voltage 230 V~ 50 Hz for 40-500 W incandescent lamps, 40-500 VA ferromagnetic transformers and 40-300 VA  inductive response electronic transformers, control and regulation with built-in push button or from peripheral NO push buttons, MASTER function, MOSFET+TRIAC technology, visible in darkness. Not suitable for installation in Isoset IP44 and IP55 enclosures
14161 .SL	SLAVE dimmer, supply voltage 230 V~ 50 Hz for 40-500 W incandescent lamps, 40-500 VA ferromagnetic transformers and 40-300 VA  inductive response electronic transformers, control from 20160 dimmer, MOSFET+TRIAC technology, visible in darkness. Not suitable for installation in Isoset IP44 and IP55 enclosures



Dimmer

14162 .SL	Dimmer, supply voltage 230 V~ 50 Hz for 40-300 VA  capacitive response electronic transformers, control and regulation with built-in push button or from peripheral NO push buttons, MOSFET technology, visible in darkness. Not suitable for installation in Isoset IP44 and IP55 enclosures
------------------	---



Controllable loads	Charact. controllable transformer	14160 MASTER	14161 SLAVE	14162
	-	40 - 500 W	40 - 500 W	-
	-	40 - 500 VA	40 - 500 VA	-
		40 - 300 VA	40 - 300 VA	-
		-	-	40 - 300 VA

NOTE

- The connection should be made with fuse carrier with quick-acting fuse with high breaking capacity type F2,5AH 250 V~ (07050.HF.2.5) as shown in the diagrams.
- Installation of 2 dimmers in the same mounting box, the loads controlled by each dimmer must be reduced so that their total does not exceed the indicated values.