

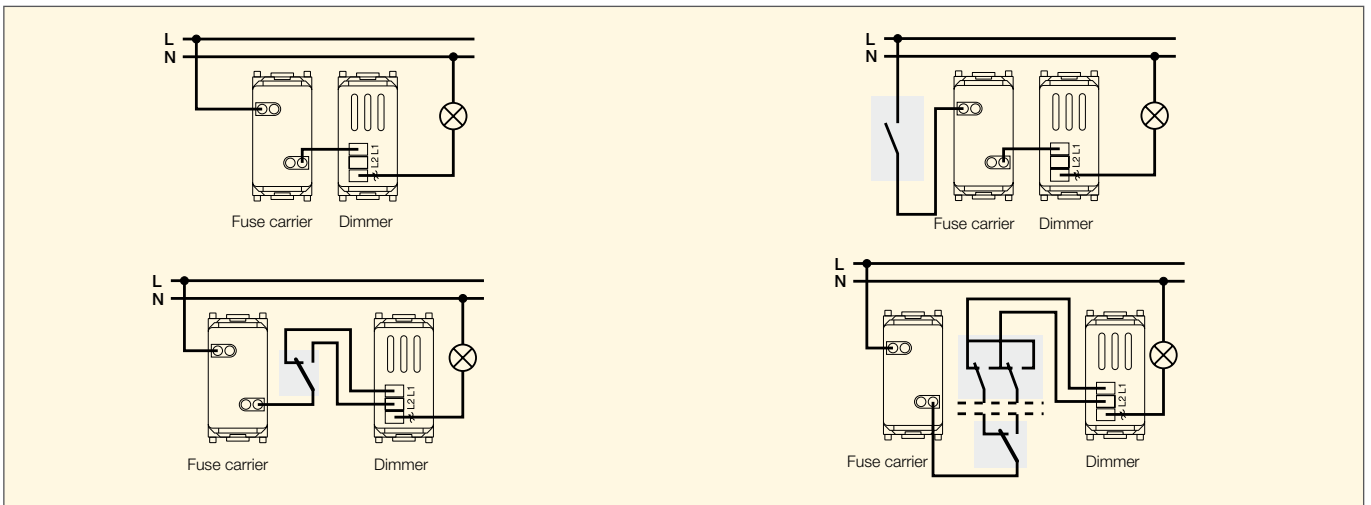
Dimmers - TECHNICAL CHARACTERISTICS

Dimmers

14150 - Wiring diagrams



14153 - Wiring diagrams



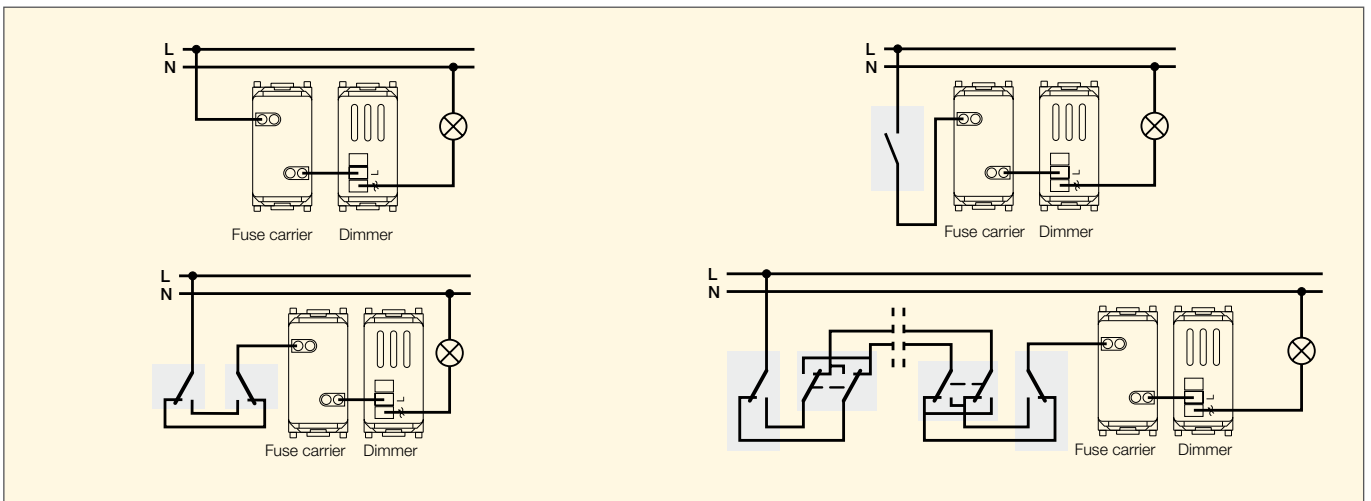
Conformity to Standards

LV Directive

EMC Standard

EN 60669-2-1 Standard

14146 - 14147 - Wiring diagrams



Dimmers

Dimmer

14150	.SL	Dimmer, supply voltage 230 V~ 50-60 Hz for: 100-500 W incandescent lamps, control and regulation by rotary potentiometer, visible in darkness
14153	.SL	Dimmer, supply voltage 230 V~ 50-60 Hz for: 100-500 W incandescent lamps, control by push-push 2-way switch and regulation by rotary potentiometer, visible in darkness



Dimmer

*14146	.SL	Dimmer, supply voltage 230 V~ 50-60 Hz for: 60-900 W incandescent lamps, 60-300 VA ferromagnetic transformers, control and regulation by rotary potentiometer, visible in darkness
*14147	.SL	Dimmer, supply voltage 120 V~ 50-60 Hz for: 30-500 W incandescent lamps, 30-300 VA ferromagnetic transformers, control and regulation by rotary potentiometer, visible in darkness

