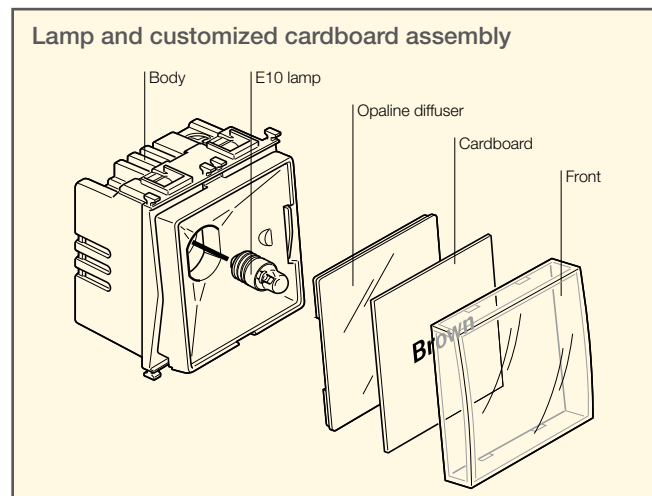
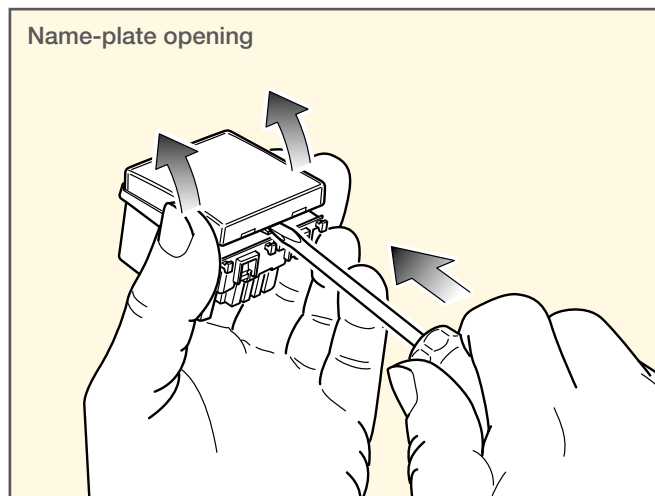


## Switches - TECHNICAL CHARACTERISTICS

### Lightable name-plate push button



#### Technical characteristics of lamps

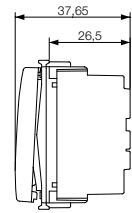
Article	Type	Tension	W	Colour
14775	incandescence	24 V	1,2 W max	white
14778	neon	230 V~	0,5 W max	red
14779	neon	230 V~	0,5 W max	red

### 1P name-plate push button

<b>14050</b>		1P NO 10 A 250 V~ lightable name-plate push button, for E10 10x28 mm 1 W max lamp - 2 modules.
		Supplied without lamp



14050



### 1P cord-operated push button

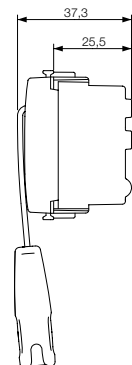
<b>14052</b>	<b>.SL</b>	1P NO 10 A 250 V~ cord-operated push button, 1,5 m cord
<b>14053</b>	<b>.SL</b>	1P NC 10 A 250 V~ cord-operated push button, 1,5 m cord



14052  
14053  
white



14052.SL  
14053.SL  
Silver



### Additional 1P push button 250 V~

<b>14056.33</b>	<b>.SL</b>	1P 10 A 250 V~ push button, NO+NC contacts, OFF symbol
<b>14056.34</b>	<b>.SL</b>	1P 10 A 250 V~ push button, NO+NC contacts, ON symbol
<b>14058</b>	<b>.SL</b>	Two independent push buttons, 1P NO + 1P NC 10 A 250 V~, ON and OFF symbols
<b>14066</b>	<b>.SL</b>	Two independent push buttons, 1P NO + 1P NO 10 A 250 V~.
They allow the simultaneous closing of the two circuits and are thus not suitable for reversing motors (roller blinds, gates, etc.)		



14056.33  
white



14056.33.SL  
Silver



14056.34  
white



14056.34.SL  
Silver



14058  
white



14058.SL  
Silver



14066  
white



14066.SL  
Silver

