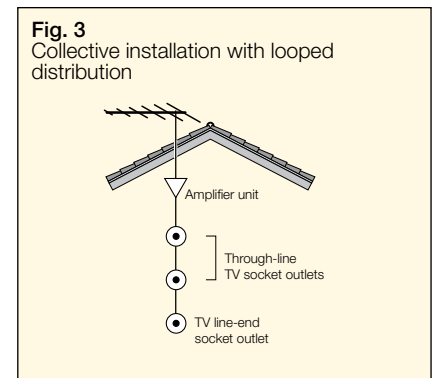
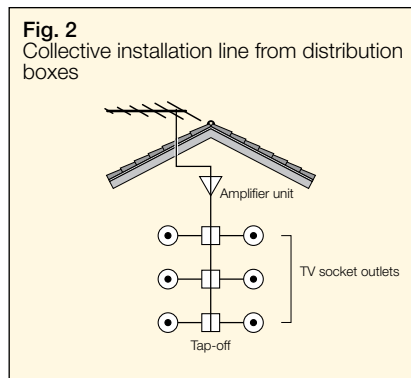
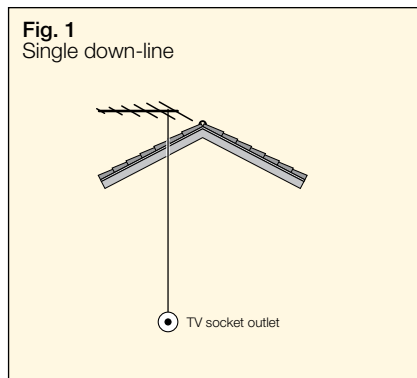


TV socket outlets - TECHNICAL CHARACTERISTICS

Coaxial TV 40-862 MHz socket outlets

Technical specifications

- patented cord-grip for easy and reliable connection of the coaxial cable
- captive screw terminals and toothed pressure plate, for the central conductor
- one capacitor series connected directly to the internal terminal, or through an adequate radiofrequency repeater, to protect the installation against dangerous voltages from connected receivers
- TV socket outlet without attenuation: to be used for single down-lines or for collective installation lines from distribution boxes or tap-offs (Fig. 1 and 2)
- through-line TV socket outlet and line-end socket outlet: resistive type with connection attenuation 20 dB for installations with several socket outlets connected in cascade (looped distribution - Fig. 3)



TV socket outlets

Coaxial TV 40-862 MHz socket outlet

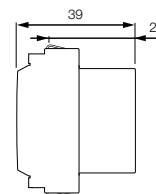
*16320	.B	Coaxial TV socket outlet, single connection, with IEC 60169-2 female connector
*16320.S	.B	Coaxial TV socket outlet, single connection, with IEC 60169-2 female connector, 2 cord-grips
*16321	.B	Coaxial TV socket outlet, through-line, with IEC 60169-2 female connector, throughpass attenuation 3 dB, connection attenuation 20 dB
*16322	.B	Coaxial TV socket outlet, line-end, with IEC 60169-2 female connector, connection attenuation 20 dB



16320
16320.S
16321
16322
grey



16320.B
16320.S.B
16321.B
16322.B
white



Coaxial F-type socket outlet

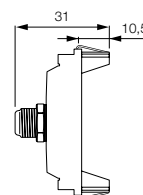
16331	.B	Coaxial socket outlet with F-type female connector (IEC 60169-24). For frequencies up to 2400 MHz. In/out connection with F-type male connector 01654.
-------	----	---



16331
grey



16331.B
white



Terminal resistor

16330	Z 75 Ω terminal resistor for TV-RD-SAT socket outlets line end, for frequencies up to 2400 MHz
*08175	Z 75 Ω terminal resistor for TV socket outlets line end



16330



08175

Acoustic and optical signalling - TECHNICAL CHARACTERISTICS

Bells and buzzers

12 V and 24 V bells and buzzers are to be supplied through safety isolating transformer

Conformity to Standards

LV Directive for 16402, 16403, 16407 and 16408

Three-tone electronic chime

Scope

Particularly suitable for residential, commercial and similar applications where a differentiation is necessary between external and internal calls (i.e. building door, entrance door and call from bathroom cord-operated push button).

For three independent call signalling:

- three-tone sequence: one single cycle at a time is performed (even keeping the push button pressed)
- two-tone sequence: up to 8 cycles are performed keeping the push button pressed
- constant-tonality buzz: one cycle lasting up to 20 s is performed keeping the push button pressed

Conformity to Standards

EMC Directive

EN 61000-6-1, EN 61000-6-3 Standards

Technical specifications

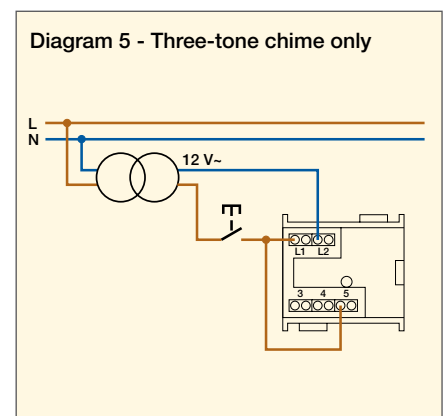
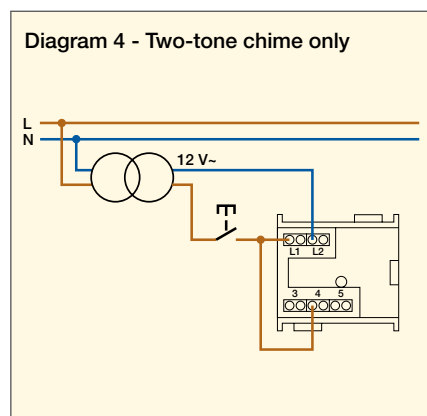
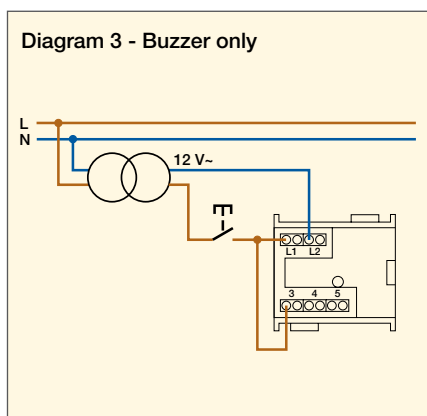
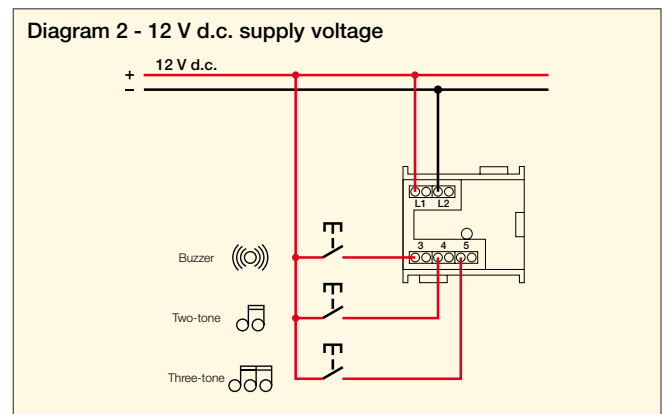
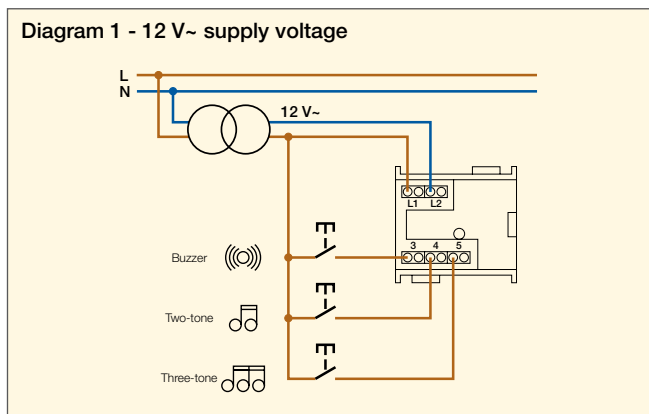
- D type equipments: the sound emission has the same lasting time of the control operation
- intermittent functioning 15/60: the sound emission can last up to max 15 s, followed by period at rest of 60 s

Technical specifications

- to be supplied through safety isolating transformer
- supply voltage:
 - 12 V~ $\pm 10\%$ 50-60 Hz
 - 12 V d.c. $\pm 10\%$
- absorption:
 - 9 VA max during operation calls
 - about 1 VA at rest
- volume: 75 dB max. at 3 m for buzzer function, and 70 dB for two-tone and three-tone functions, settable acting on the trimmer on the back of the device.
- operations through NO push buttons to be connected as indicated either in diagram 1 or 2

If the electronic chime is used instead of a 2-wire bell, it is possible to realize the connections as indicated in diagrams 3, 4 and 5. If the three-tone or the two-tone function is used, the cycle is completed only keeping the push button pressed till the end of the cycle.

Three-tone chime wiring diagrams



Acoustic and optical signalling

Electromechanical bell

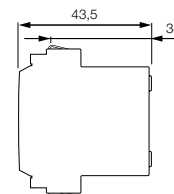
16400	.B	Bell, 12 V~ (SELV) 50 Hz 8 VA
16401	.B	Bell, 24 V~ (SELV) 50 Hz 8 VA
Δ 16402	.B	Bell, 110 V~ 50-60 Hz 8 VA
16403	.B	Bell, 230 V~ 50 Hz 8 VA



16400
16401
16402
16403
grey



16400.B
16401.B
16402.B
16403.B
white



Electronic bell

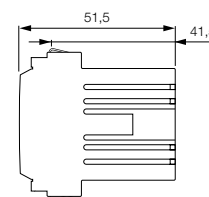
16420	.B	3-sound-sequence electronic chime (three-, two-tone, buzzer), adjustable volume, supply voltage 12 V~ 50-60 Hz and 12 V d.c. (SELV) - 2 modules
--------------	-----------	---



16420
grey



16420.B
white



Buzzer

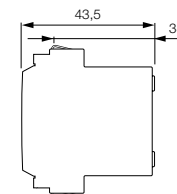
16405	.B	Buzzer, 12 V~ (SELV) 50-60 Hz 8 VA
16406	.B	Buzzer, 24 V~ (SELV) 50-60 Hz 8 VA
Δ 16407	.B	Buzzer, 110 V~ 50-60 Hz 8 VA
16408	.B	Buzzer, 230 V~ 50-60 Hz 8 VA



16405
16406
16407
16408
grey



16405.B
16406.B
16407.B
16408.B
white

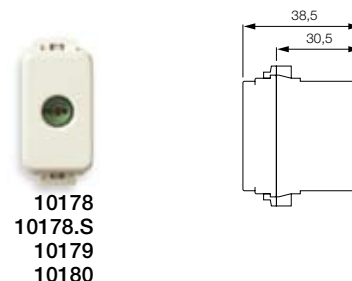


Switches

Coaxial TV 40-862 MHz socket outlet

- *10178 Coaxial TV socket outlet, single connection, with IEC 60169-2 female connector
- Δ*10178.S Coaxial TV socket outlet, single connection, with IEC 60169-2 female connector, with 2 cord-grips
- *10179 Coaxial TV through line, with IEC 60169-2 female connector, throughpass attenuation 3 dB, connection attenuation 20 dB
- Δ*10180 Coaxial TV socket outlet, line-end, with IEC 60169-2 female connector, connection attenuation 20 dB

Technical specifications: see page 180



10178
10178.S
10179
10180

Coaxial F-type socket outlet and terminal resistor

- 10188 Coaxial socket outlet with F-type female connector (IEC 60169-24).
For frequencies up to 2400 MHz. In/out connection with F-type male connector 01654
- 16330 Z 75 Ω terminal resistor for TV-RD-SAT socket outlets line end, for frequencies up to 2400 MHz
- *08175 Z 75 Ω terminal resistor for TV socket outlets line end

Technical specifications: see page 180



16330

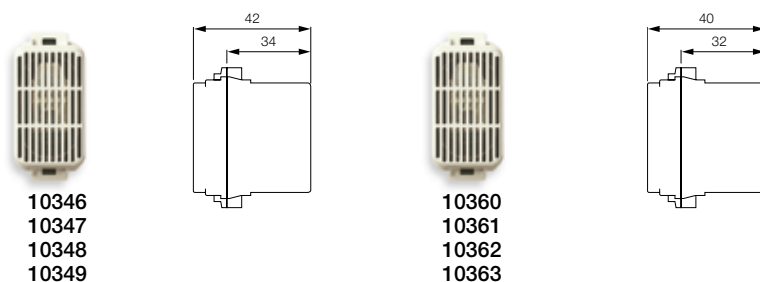
10188

08175

Bell and buzzer

- Δ 10346 Bell, 12 V~ (SELV) 50 Hz 8 VA
- 10347 Bell, 24 V~ (SELV) 50 Hz 8 VA
- Δ 10348 Bell, 110 V~ 50-60 Hz 8 VA
- 10349 Bell, 230 V~ 50 Hz 8 VA
- Δ 10360 Buzzer, 12 V~ (SELV) 50-60 Hz 8 VA
- 10361 Buzzer, 24 V~ (SELV) 50-60 Hz 8 VA
- Δ 10362 Buzzer, 110 V~ 50-60 Hz 8 VA
- 10363 Buzzer, 230 V~ 50-60 Hz 8 VA

Technical specifications: see page 182



10346
10347
10348
10349

10360
10361
10362
10363