

IP40 for Eikon and Plana - TECHNICAL CHARACTERISTICS

Scope

The surface Isoset boxes extend the utilization possibilities of **Eikon** and **Plana**, in locations where the IP40 protection degree is required (i.e. store rooms, basements, boiler-rooms mechanical workshops, etc.) in compliance with CEI 64-8.

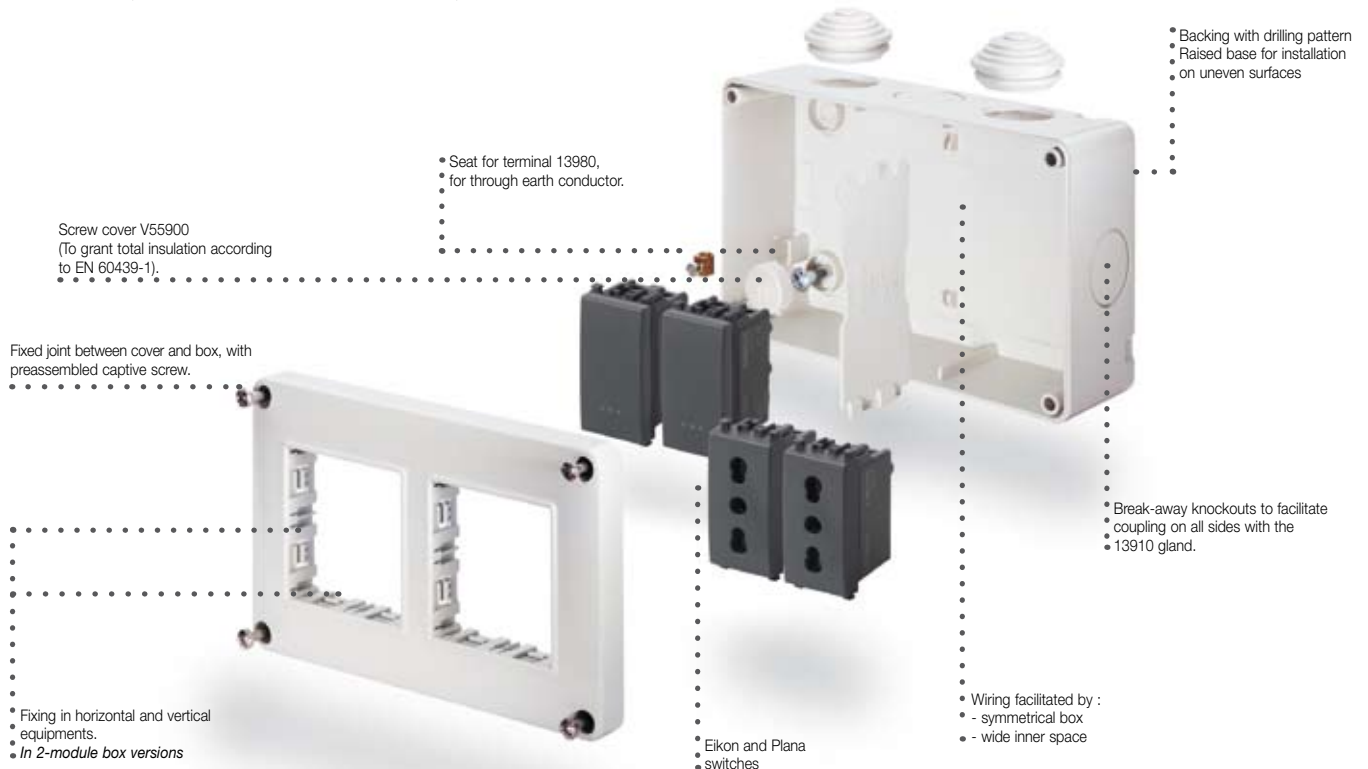
Technical specifications

- IP40 protection degree, according to EN 60529 Standard is granted with equipments fitted into the box and in installations according to good engineering practice, with the use of appropriate cable entries, glands and coupling;
- for equipments with open front (i.e. socket outlets) the protection degree referred to the equipments front is lower than IP40, but it is never lower than IP20;

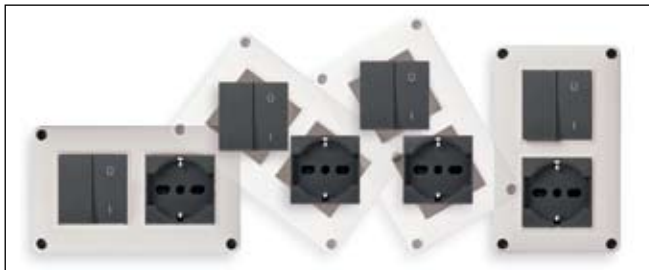
- resistance to abnormal heat and to fire (Glow Wire test): 650 °C
- resistance to ageing according to Italian Standard EN 60669-1: 7 days at 70 °C
- resistance to heat ball-pressure test, according to Italian Standard EN 60669-1: 70 °C
- RAL 7035 grey
- not suitable for Eikon switches: 20125, 20161, 20161, 20162, 20175, 20395, 20446, 20290; and Plana: 14160, 14161, 14162, 14175, 14446.

Conformity to Standards

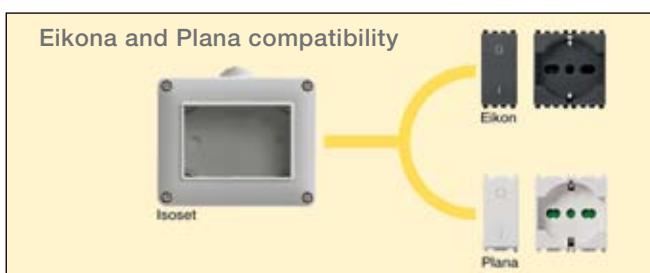
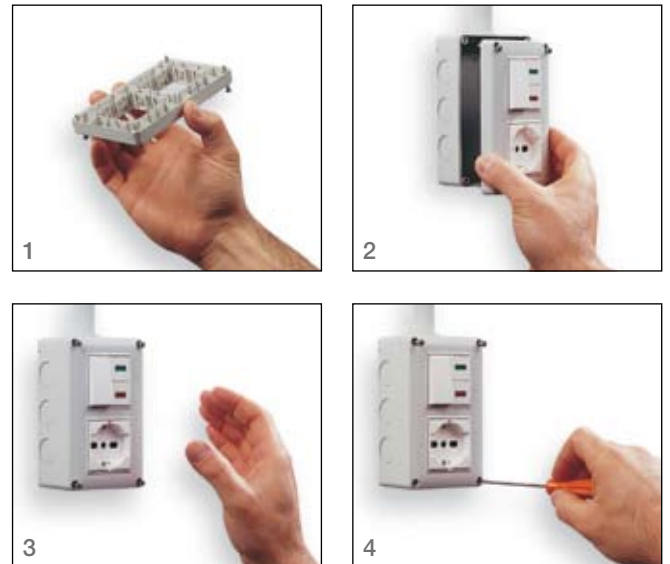
LV Directive
EN 60670-1 Standard



Example of horizontal and vertical mounting



Pre-attaching system for an easy fixing



IP40 for Eikon and Plana

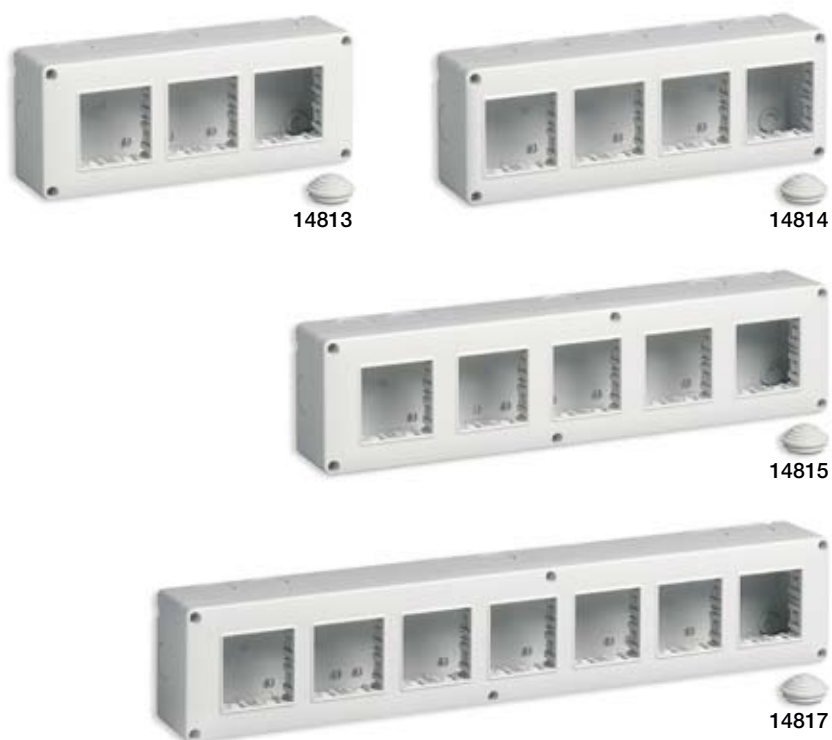
1-, 2-, 3- and 4-module box

14801	1-module box for Eikon and Plana
14802	2-module box, vertical and horizontal installation, for Eikon and Plana
14803	3-module box for Eikon and Plana
14804	4-module box for Eikon and Plana
14812	4-(2+2)-module box, vertical and horizontal installation, for Eikon and Plana



6-, 8-, 10- and 14-module box

14813	6-(2+2+2)-module box, vertical and horizontal installation, for Eikon and Plana
14814	8 (2+2+2+2)-module box, vertical and horizontal installation, for Eikon and Plana
14815	10-(2+2+2+2+2)-module box, vertical and horizontal installation, for Eikon and Plana
14817	14-(2+2+2+2+2+2)-module box, vertical and horizontal installation, for Eikon and Plana



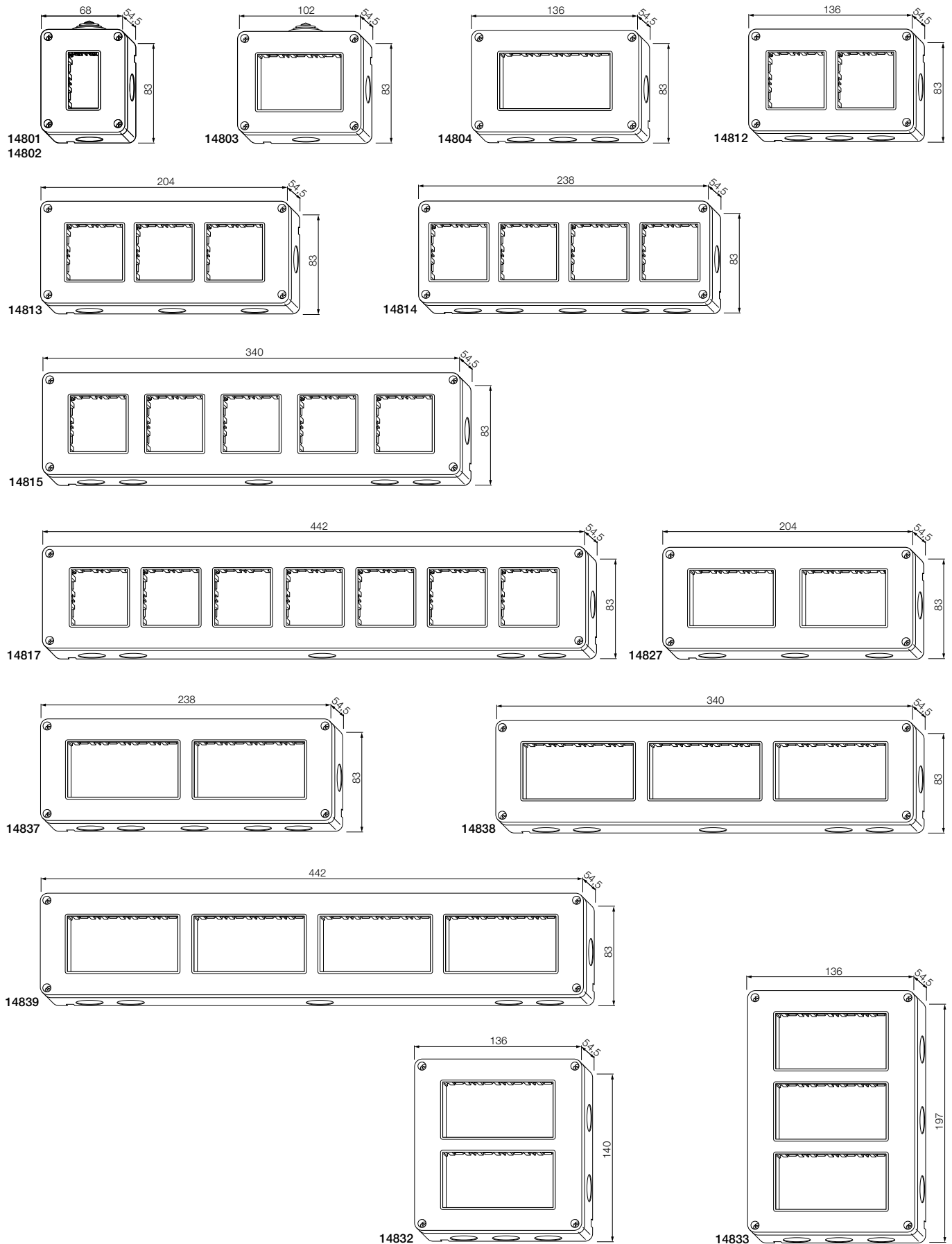
BOXES
CONSUMER
UNITS

Isoset: surface mounting boxes



IP40 for Eikon and Plana - TECHNICAL CHARACTERISTICS

Dimensions (in mm)



IP40 for Eikon and Plana

6- and 8-module box, horizontal installation

14827 6-(3+3, in horizontal)-module box for Eikon and Plana

14837 8-(4+4 in horizontal)-module box for Eikon and Plana



14827



14837

12- and 16-module box, horizontal installation

14838 12-(4+4+4, in horizontal)-module box for Eikon and Plana

14839 16-(4+4+4+4, in horizontal)-module box for Eikon and Plana



14838



14839

8- and 12-module box, vertical installation

14832 8-(4+4, in vertical)-module box for Eikon and Plana

14833 12-(4+4+4, in vertical)-module box for Eikon and Plana



14832



14833

Using 08492 adaptor it is possible to install 8000 standard module switches

IP55 for Eikon and Plana - TECHNICAL CHARACTERISTICS

Scope

The surface Isoset boxes extend the utilization possibilities of **Eikon** and **Plana**, in locations where the IP44 and IP55 protection degree is required (i.e. industrial and agricultural environments, building sites, touristic harbours, sport installations, gardens, camping sites, etc.).

They furthermore permit to realize electrical installations in locations where explosions or fires are liable to occur, according to Italian Standards EN 60079 and CEI 64-2

Technical specifications

• IP55 protection degree, according to EN 60529 (CEI 70-1) Standard, is granted with equipments fitted into the box and in installations according to good engineering practice, with the use of appropriate cable entries, glands and coupling accessories

- the 2P+E and 3P+E 16 A EN 60309 type industrial socket outlets guarantee the IP44 protection degree in any operating conditions
- resistance to abnormal heat and to fire (Glow Wire test): 650 °C
- resistance to ageing, according to Italian Standards EN 60669-1: 7 days at 70 °C
- resistance to heat: ball-pressure test, according to Italian standards EN 60669-1: 70 °C
- RAL 7035 grey
- not suitable for Eikon switches: 20125, 20161, 20161, 20162, 20175, 20395, 20446, 20290; and Plana: 14160, 14161, 14162, 14175, 14446.

Conformity to Standards

LV Directive
EN 60670-1 Standard



Locking system for an easy opening and closing



IP55 for Eikon and Plana

1- and 2-module box

14901	1-module box, for Eikon and Plana
14902	2-module box, for Eikon and Plana



14901



14902

3- and 4-module box

14903	3-module box, for Eikon and Plana
14904	4-module box, for Eikon and Plana



14903



14904

8- and 12-module box

14912	8-(4+4, in vertical)-module, for Eikon and Plana
14913	12-(4+4+4, in vertical)-module, for Eikon and Plana



14912



14913

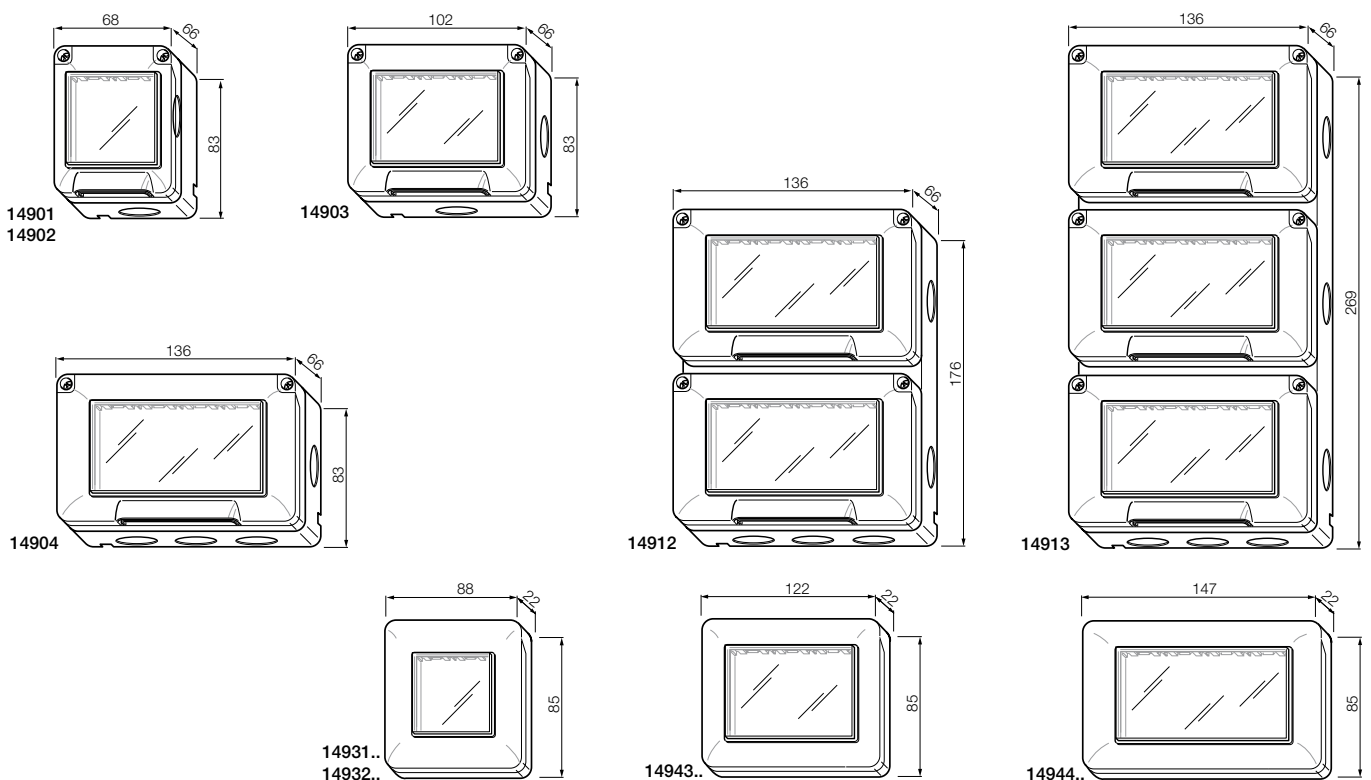
Using 08492 adaptor it is possible to install 8000 standard module switches

IP55 for Eikon and Plana - TECHNICAL CHARACTERISTICS

Example of installation with 3-module cover (14943)
on flush mounting boxes (V71303).



Dimensions (in mm)



IP55 for Eikon and Plana

2-module cover for Eikon and Plana

14931	2-module cover, with claws for ø 60 mm mounting boxes, RAL 7035 grey
14931.01	As above, white
14931.14	As above, granite grey
14932	2-module cover, with screws for 60 mm distance between centres mounting boxes, RAL 7035 grey
14932.01	As above, white
14932.14	As above, granite grey

The IP55 protection degree is guaranteed with installation on waterproof smooth walls without grooves.



14931
14932



14931.01
14932.01



14931.14
14932.14

3-module cover for Eikon and Plana

14943	3-module cover, with screws, for 3-module flush mounting boxes, RAL 7035 grey
14943.01	As above, white
14943.14	As above, granite grey

The IP55 protection degree is guaranteed with installation on waterproof smooth walls without grooves.



14943



14943.01



14943.14

4-module cover for Eikon and Plana

14944	4-module cover, with screws, for 4-module flush mounting boxes, RAL 7035 grey
14944.01	As above, white
14944.14	As above, granite grey

The IP55 protection degree is guaranteed with installation on waterproof smooth walls without grooves.



14944



14944.01



14944.14

Accessories - TECHNICAL CHARACTERISTICS

Special box

14927 IP55 box for ø 22 mm switches and indicator units mounting, grey

14927.GL IP55 box for ø 22 mm emergency push buttons mounting, yellow cover



14927



14927.GL

Industrial socket outlet

14950 2P+E 16 A 6 h 200-250 V~ socket outlet, EN 60309 type, IP44, with screws, for 3-module flush mounting boxes

14951 3P+E 16 A 6 h 380-415 V~ socket outlet, EN 60309 type, IP44, with screws, for 3-module flush mounting boxes

The IP44 protection degree is guaranteed with installation on waterproof smooth walls without grooves.



14950

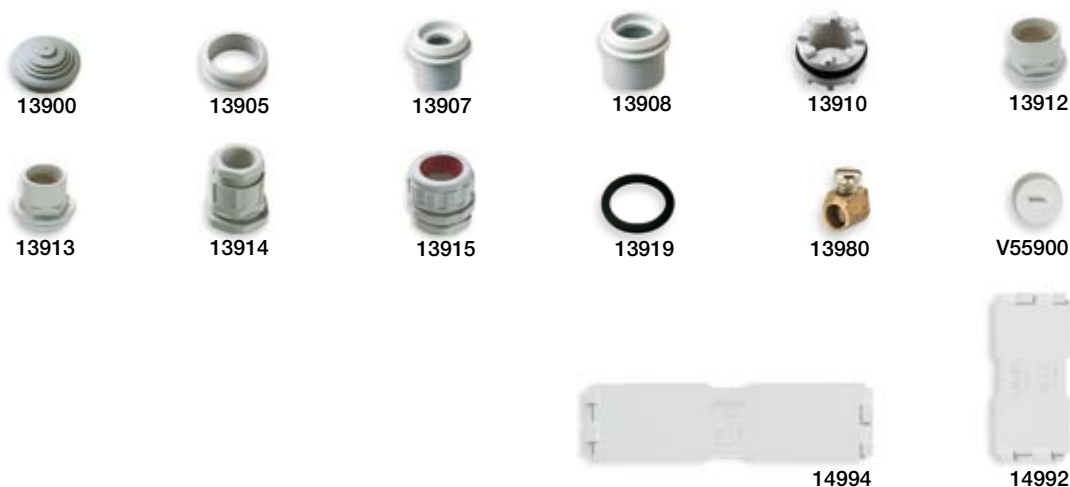


14951

Accessories

Accessories for IsoSet boxes

13900	Cable entry for ø 16-20 mm conduits, grey
13900.A	Cable entry for ø 16-20 mm conduits, ivory
Δ 13905	Coupling cable entry for side-by-side installations
13907	Gland for ø 16 mm conduits
13908	Gland for ø 20 mm conduits
13910	Coupling cable entry for side-by-side installations
Δ 13912	Gland for M16 ø 16 mm thread conduits
Δ 13913	Gland for M20 ø 20 mm thread conduits
Δ 13914	Screwed cable gland, ø 12-15 mm tightening, supplied with fixing nut
13915	Screwed cable gland, ø 20-22 mm tightening, supplied with fixing nut - IP67
Δ 13919	Seal for 13910 coupling gland
13980	6 mm ² terminal for through earth conductor
V55900	ø 14 mm screw cover, to grant total insulation according to EN 60439-1 Standard
14992	Vertical dividing
14994	Horizontal dividing



Adaptor

08492	Adaptor for 8000 standard module on IsoSet mounting
--------------	---



Example of use

