

## RJ45 Cat. 6 socket connectors- TECHNICAL CHARACTERISTICS

### RJ45 Cat. 6 UTP socket connectors

Creation of workstations aesthetically coordinated with the electrical system present in the room.

Devices may be installed using the corresponding racks and cover plates, in the same way as for the other equipment of the series:

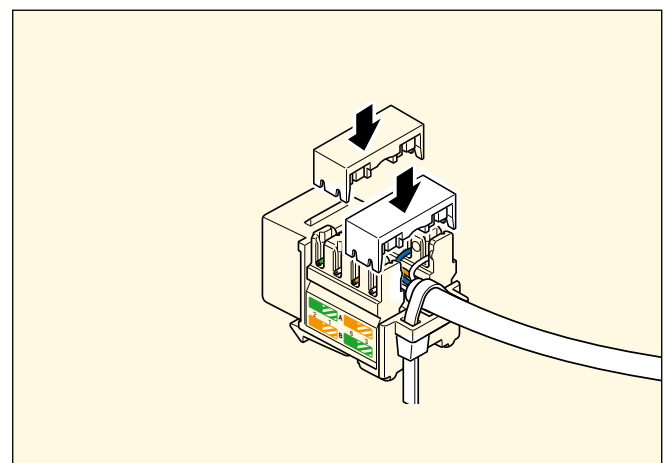
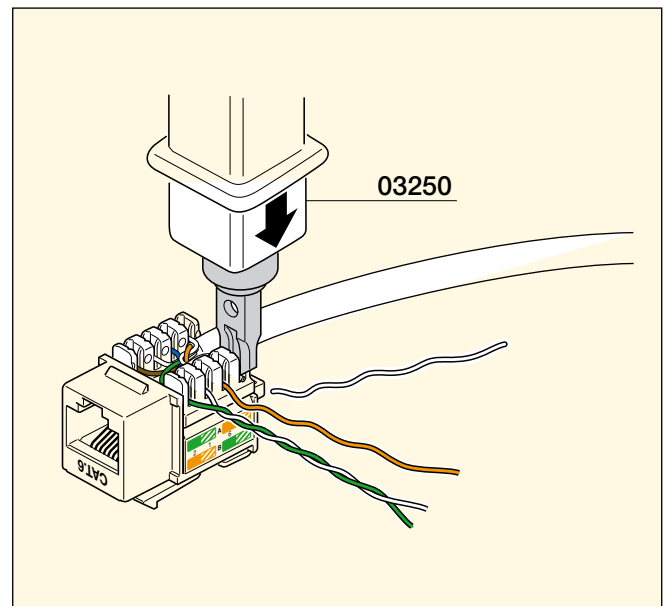
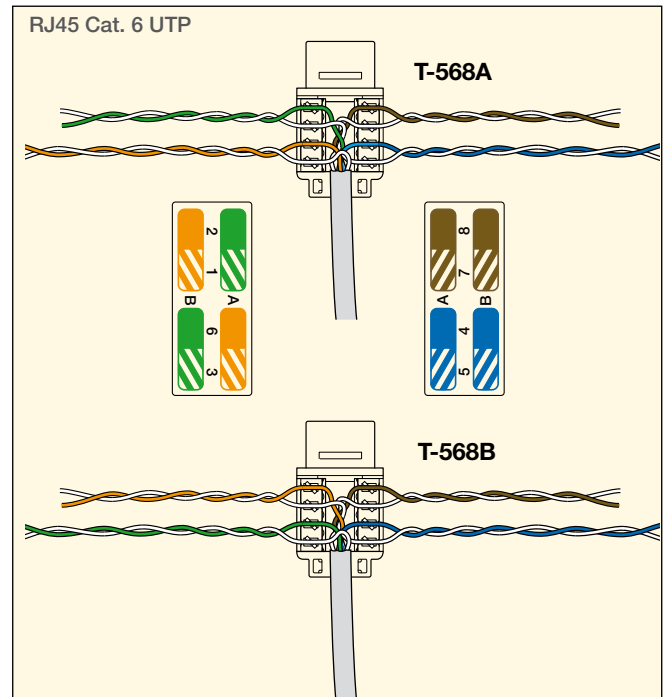
- Eikon: 20339.6
- Idea: 16359.6
- Plana: 14359.6
- 8000: 08459.6

### Supported applications

- 25/52/155/1200 Mbps ATM
- TP-PDM
- Ethernet (10BASE-T)
- Fast Ethernet (100BASE-TX)
- Gigabit Ethernet (1000BASE-T)
- 4/16/100 Mbps Token Ring
- 6 or E class category

### Technical specifications 20339.6, 16359.6, 14339.6, 08459.6

- category 6 performance to provide additional margin to support emerging Gigabit applications
- 110 termination cap with 03250 tool use
- transmission performance comply with Standards: ANSI/TIA/EIA 568B, ISO/IEC 11801 and CEI EN 50173 for 6 category



## RJ45 Cat. 6 socket connectors

### RJ45 Cat. 6 UTP socket connectors

RJ45 Cat. 6 socket connectors, unshielded, T568A/B universal wiring, 8-contact, 110 type insulation-piercing terminals

#### EIKON



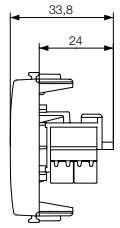
20339.6  
grey



20339.6.B  
white



20339.6.N  
Next



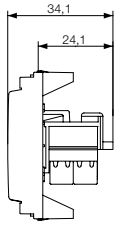
#### IDEA



16359.6  
grey



16359.6.B  
white



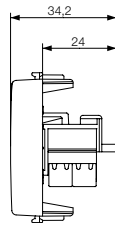
#### PLANA



14339.6  
white



14339.6.SL  
Silver



#### 8000



08459.6

