

Comfort - TECHNICAL CHARACTERISTICS

Scope

- **16580**: suitable for ambient temperature control by regulating the supply circuit of the burner or heat pump (heating), with the option of entering the fixed nighttime reduction (energy saving).
- **16581**: suitable for ambient temperature control by regulating the supply circuit of the burner or heat pump (heating), or the supply circuit of the air conditioner (air conditioning), with the option of entering the adjustable nighttime reduction (energy saving) in temperature and duration.

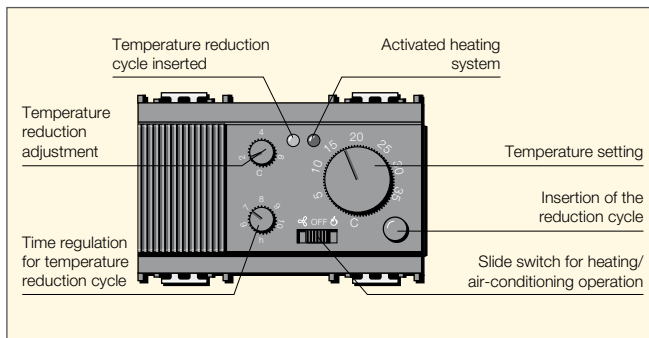
Conformity to Standard for 16580 and 16581

LV Directive
EMC Directive
EN 60730-2-9, EN 60730-1 Standards

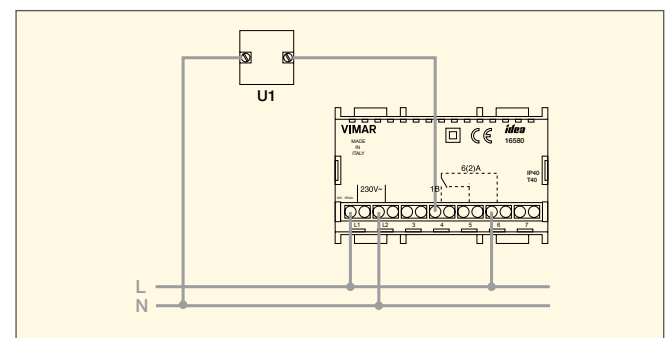
Technical specifications

- supply voltage: 230 V~ 50-60 Hz
- absorption: 5 VA
- output: 6(2) A 230 V~ change-over relay output
- type of regulation: ON/OFF
- hysteresis: 1 °C
- temperature setting range: +5 °C to +35 °C
- protection degree: IP40
- type of contact opening: micro-disconnect
- type of action: 1B
- tracking index: PTI175
- pollution status: normal
- ambient temperature range during transport: -25 °C +60 °C
- operating temperature: 0 °C +40 °C
- software class: A
- temperature reduction cycle:
 - 16580: fixed temperature reduction 4 °C
 - 16581: adjustable temperature reduction from 2 °C to 6 °C
- class II equipment:

16581 - Electronic thermostat



16580 - Wiring diagram

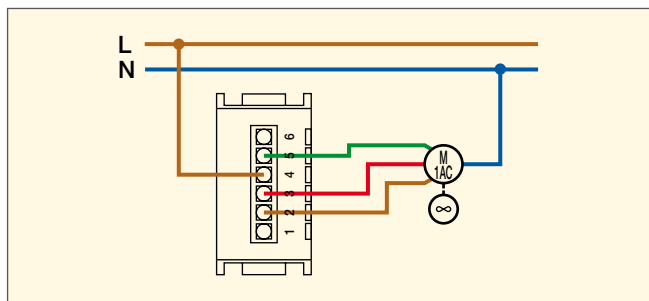


Switches for fan-coil regulation

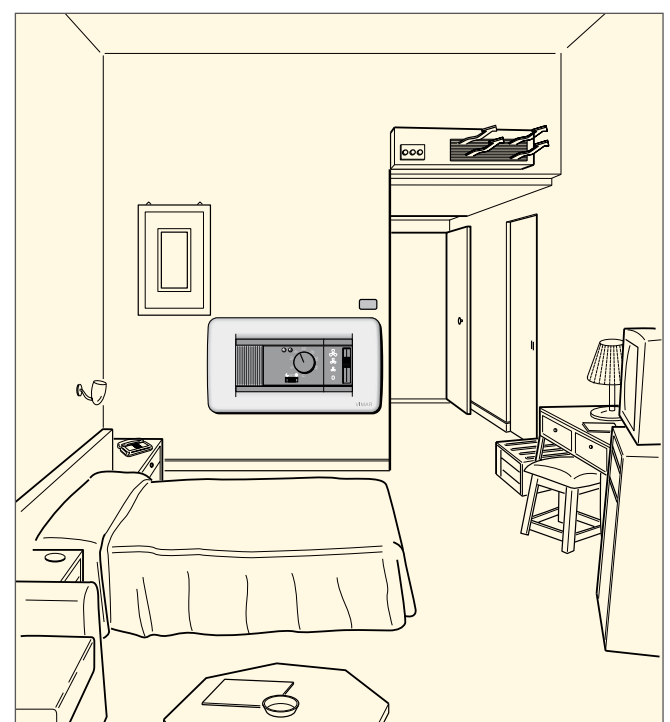
Conformity to Standards

LV Directive
EN 60669-1 Standard

16558 - Wiring diagram



Example of use



Electronic thermostat

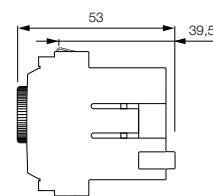
16580	.B	Electronic thermostat for ambient temperature control (heating), fixed temperature reduction cycle, 6(2) A 230 V~ change-over relay output, supply voltage 230 V~ 50-60 Hz - 3 modules
16581	.B	Electronic thermostat for ambient temperature control (heating and air conditioning), settable temperature reduction cycle, 6(2) A 230 V~ change-over relay output, supply voltage 230 V~ 50-60 Hz - 3 modules



16580
grey



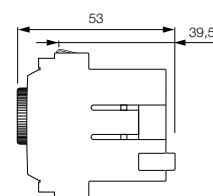
16580.B
white



16581
grey



16581.B
white



Switch for fan-coil regulation

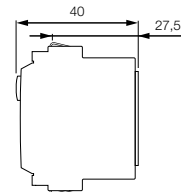
16558	.B	1P 6(2) A 250 V~ slide-switch, 4-position, for fan-coil speed regulation
--------------	-----------	--



16558
grey



16558.B
white



Switches

Electronic thermostat

08480 Electronic thermostat for the ambient temperature control (heating), fixed temperature reduction cycle, 6(2) A 230 V~ change-over relay output, supply voltage 230 V~ 50-60 Hz - 3 special modules

Δ 08481 Electronic thermostat for the ambient temperature control (heating and air conditioning), settable temperature reduction cycle, 6(2) A 230 V~ change-over relay output, supply voltage 230 V~ 50-60 Hz - 3 special modules

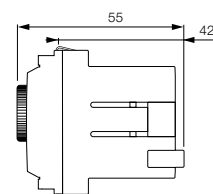
Technical specifications: see page 204



08480



08481



Adaptor for electronic key insertion for burglar alarm systems

08324 Adaptor for electronic key insertion for burglar alarm system



08324

