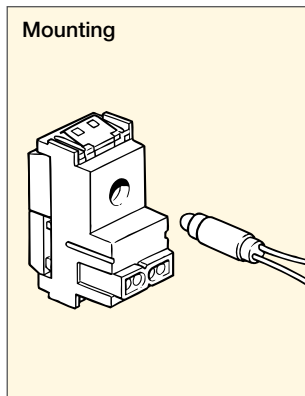


## Switches - TECHNICAL CHARACTERISTICS

### Push button + indicator unit for signalling unit



A 1,5  $\mu$ F 400 V~ capacitor should be connected in parallel to neon or fluorescent signalling units to avoid self-ignition in special circuits

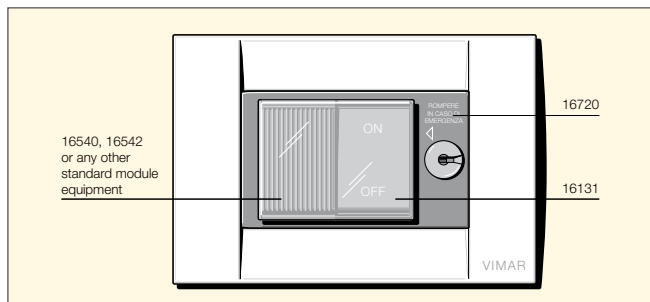
#### Technical specifications of signalling units

Colour of emitted light	Article	Type	Supply voltage	W	Colour of signalling unit	Colour of diffuser
white	<b>10490</b>	incandescence	12 V	0,5 W max	white	white
white	<b>10491</b>	incandescence	24 V	0,5 W max	white	white
orange	<b>10490</b>	incandescence	12 V	0,5 W max	white	orange
orange	<b>10491</b>	incandescence	24 V	0,5 W max	white	orange
red	<b>10492</b>	neon	110 V~	0,5 W max	red	red
red	<b>10493</b>	neon	250 V~	0,5 W max	red	red
green	<b><math>\Delta</math> 10492.V</b>	fluorescence	110 V~	0,5 W max	green	green
green	<b>10493.V</b>	fluorescence	250 V~	0,5 W max	green	green
blue	<b><math>\Delta</math> 10492.AZ</b>	fluorescence	110 V~	0,5 W max	blue	white
blue	<b>10493.AZ</b>	fluorescence	250 V~	0,5 W max	blue	white

Colour of emitted light: colour of signalling unit + colour of diffuser

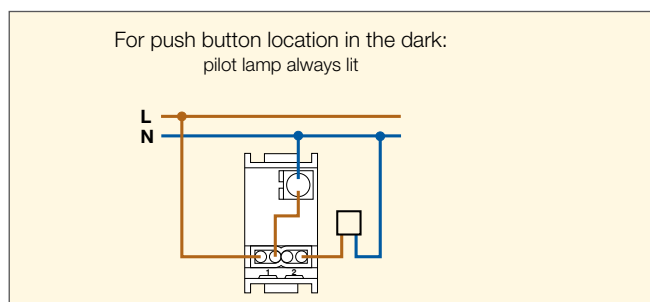
### 16131 - Special switches 250 V~

1-way switch 16131 can be used as emergency switch for lifts and elevators in residential and similar buildings, if installed on mounting frame 16720 with lockable door and replaceable, breakable glass frontal lid.



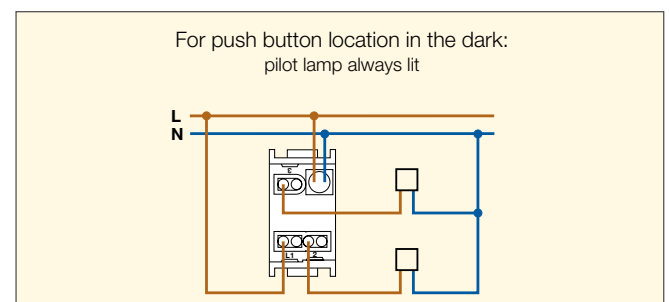
### 16092 - Special switches 250 V~

Wiring diagram of the luminous 1P NC push button with 110 V~ or 250 V~ signalling unit



### 16093 - Special switches 250 V~

Wiring diagram of the luminous 1P NC change-over push button with 110 V~ or 250 V~ signalling unit



# Switches

## Additional 1P push button 250 V~

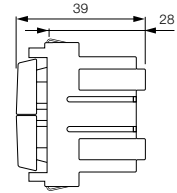
**16121** .B Two 1P NO + 1P NO 10 A independent push buttons.  
They allow the simultaneous closing of the two circuits and are thus not suitable for reversing motores (rollers, gates, etc.)



**16121**  
grey



**16121.B**  
white



## Additional 1P push button 250 V~ with indicator unit

**16126.B** .B 1P NO 10 A push button + indicator unit for signalling unit, white diffuser. Provided without signalling unit  
**16126.V** .B As above, green diffuser  
**16126.R** .B As above, red diffuser  
**16126.A** .B As above, orange diffuser



**16126.B**  
grey



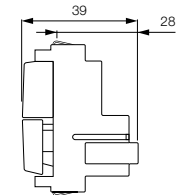
**16126.B.B**  
white



**16126.V**  
grey



**16126.V.B**  
white



**16126.R.B**  
grey



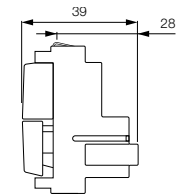
**16126.R.B**  
white



**16126.A**  
grey



**16126.A.B**  
white



## Special switch 250 V~

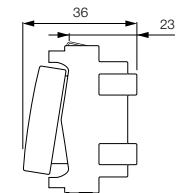
**16131** .B 16 AX switch, 1P NO + 1P NC independent contacts with single button  
**16092** .B 1P NC 10 A push button, general symbol, luminous, for signalling unit. Provided without signalling unit  
**Δ 16093** .B 1P 10 A change-over push button, general symbol, luminous, for signalling unit. Provided without signalling unit



**16131**  
grey



**16131.B**  
white



**16092**  
grey



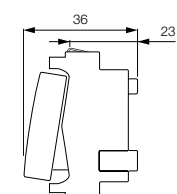
**16092.B**  
white



**16093**  
grey



**16093.B**  
white

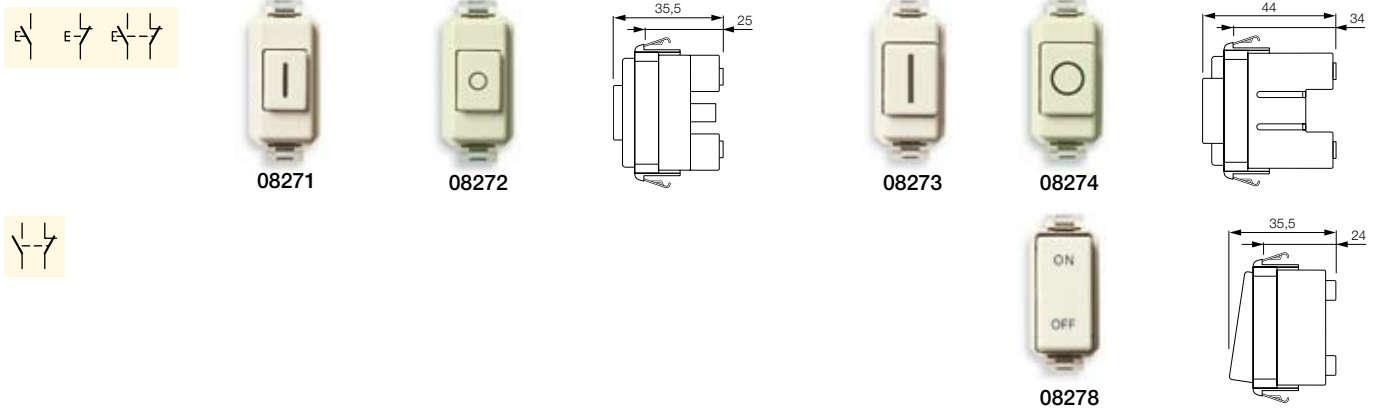


## Switches

### Additional 1P push button 250 V~

<b>08271</b>	1P NO 10 A push button (ON)
<b>08272</b>	1P NC 10 A push button (OFF)
<b>08273</b>	1P NO 10 A push button (ON), with NC 10 A auxiliary contact
<b>08274</b>	1P NC 10 A push button (OFF), with NO 10 A auxiliary contact
<b>08278</b>	16 AX 250 V~ 1-way switch, 1P NO + 1P NC independent contacts with single operating mean

Technical specifications: see page 130



### Additional 1P push button 250 V~

<b>08275</b>	Two independent 1P NO + 1P NO 10 A 250 V~ push buttons. Allow to close the two circuits simultaneously, they are not indicated to reverse the direction of motor-driven appliances (i.e. roller blinds, gates, etc.)
<b>Δ 08290.B</b>	1P NO 10 A push button + indicator unit for signalling unit, white diffuser. Supplied without signalling unit
<b>08290.V</b>	As above, green diffuser
<b>08290.R</b>	As above, red diffuser
<b>Δ 08290.A</b>	As above, orange diffuser

Technical specifications: see page 130



### Switch 250 V~ with directional arrows

<b>08285</b>	1P 10 AX 2-way switch (3 terminals) with directional arrows and central OFF position
<b>08286</b>	2P 10 AX 2-way switch (6 terminals) with directional arrows and central OFF position
<b>08280</b>	1P 10 A 2-way push button (3 terminals) with directional arrows and central OFF position
<b>08281</b>	2P 10 A 2-way push button (6 terminals) with directional arrows and central OFF position

Technical specifications: see page 132

