

Patch panels, adapters and connectors - TECHNICAL CHARACTERISTICS

Connectors for fiber-optic cables

Scope

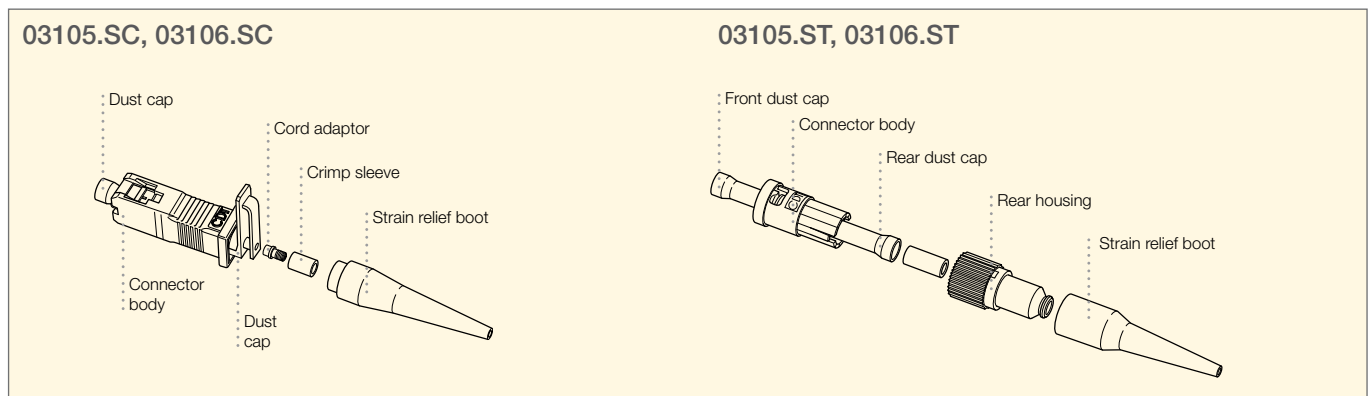
- patch panels
- distribution frames
- device terminations
- cable joints and /ot repairs

Technical specifications

- does not require lapping
- does not require use of epoxy resins and crystallization heater
- does not require use of electrical equipment
- pre-fitted ceramic ferrule: ensures contact with the optical fibres, for longer life and high performance

Technical specifications

- interconnection compatibility: SC or ST connectors
- for 50/125 mm or 62,5/125 mm fibers
- estimated time for assembly on-site:
 - approx. 1 minute for 900 μ m
 - approx. 3 minutes for fibers with sheath
- insertion loss 0,3 dB (typical)
- duration: <0,2 dB variation (500 cycles)
- storage temperature: from -40 °C to 65 °C
- tensile strength (to traction): 6,7 N
- ceramin ferrule
- reflection coefficient: -30 dB (typical)



Patch panels, adapters and connectors

Connector for fiber-optic cables

03105.SC Connector for 62,5/125 µm multimode fiber-optic cable, SC type

03105.ST Connector for 62,5/125 µm multimode fiber-optic cable, ST type



03105.SC



03105.ST

Connector for fiber-optic cables

03106.SC Connector for 50/125 µm multimode fiber-optic cable, SC type

03106.ST Connector for 50/125 µm multimode fiber-optic cable, ST type



03106.SC



03106.ST