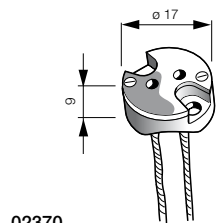


Lampholders for halogen lamps - TECHNICAL CHARACTERISTICS

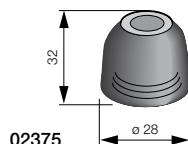
Conformity to Standards 02370
EN 60838-1 Standard

Conformity to Standards
LV Directive
EN 60838-1 Standard

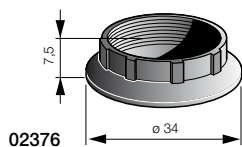
Dimensions (in mm)



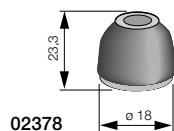
02370



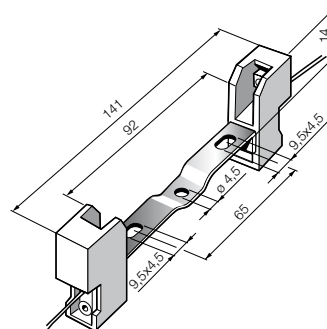
02375



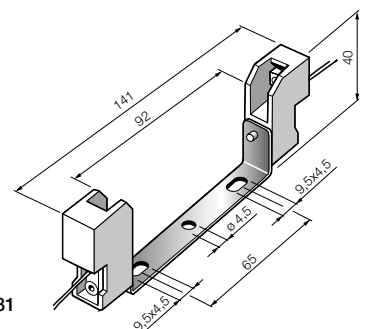
02376



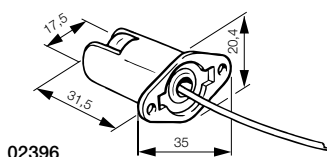
02378



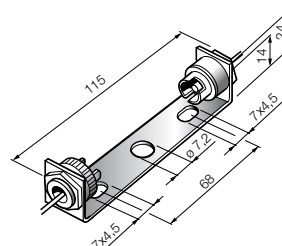
02380



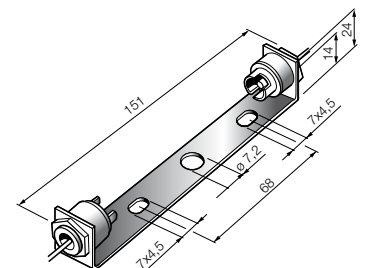
02381



02396



02390



02391

Lampholders for halogen lamps

Lampholder for extra low voltage halogen lamps

- 02370** 8 A 24 V lampholder for halogen lamps with cap G4 - G5.3 - GX5.3 - G6.35 - GY6.35 - 140 mm PTFE teflon cable 0.75 mm². Rated operating temperature: the lampholder 270 °C, the cable 180 °C.
Fixing holes ø 3.3 mm, fixing centres 11.5 mm, body ø 17 mm



02370

Lampholder for mains voltage halogen lamps

- 02375** 2 A 250 V, for halogen lamps with G9 fitting, double wire clamp springs for flexible cables with max ø 1,8 mm contact pins, through-holes for M3 screws, M10x1 nipple. For II class lighting components. Rated operating temperature 270 °C max

- 02376** Shade-holder ring for 02375 lampholder

- 02378** 2 A 250 V, for halogen lamps with fitting, double wire clamp springs for flexible cables with max ø 1,8 mm contact pins, through-holes for M3 screws, M10x1, nipple. For II class lighting components. Rated operating temperature 270 °C max



02376



02375



02378

Lampholder for mains voltage halogen lamps

- 02380** 8 A 250 V steatite body lampholder, for halogen lamps R7s rating 300-500 W, 200 mm PTFE teflon cable 0.75 mm² - median fixing bracket. Rated operating temperature: the lampholder 350 °C and the cable 250 °C.
Fixing bracket with ø 4.5 mm central hole and 4.5x9.5 mm slots, 65 mm fixing centres

- 02381** R7s rating 300-500 W, 200 mm PTFE teflon cable 0.75 mm² - U shaped fixing bracket. Rated operating temperature: the lampholder 350 °C and the cable 250 °C. Fixing bracket with ø 4.5 mm central hole and 4.5x9.5 mm slots, 65 mm fixing centres

- 02390** 6 A 250 V cylindrical steatite lampholder, nickel-plated brass casing, for halogen lamps with cap R7s rating 150-250 W, 250 mm PTFE teflon cable 0.75 mm² - straight fixing bracket. Rated operating temperature: the lampholder and the cable 250 °C.
Fixing bracket with ø 7.2 mm central hole and 4.5x7 mm slots, 68 mm fixing centres

- 02391** 6 A 250 V cylindrical steatite lampholder, nickel-plated brass casing, for halogen lamps with cap R7s rating 300-500 W, 250 mm PTFE teflon cable 0.75 mm²- straight fixing bracket. Rated operating temperature: the lampholder and the cable 250 °C.
Fixing bracket with ø 7.2 mm central hole and 4.5x7 mm slots 68 mm fixing centres



02380



02381



02390



02391

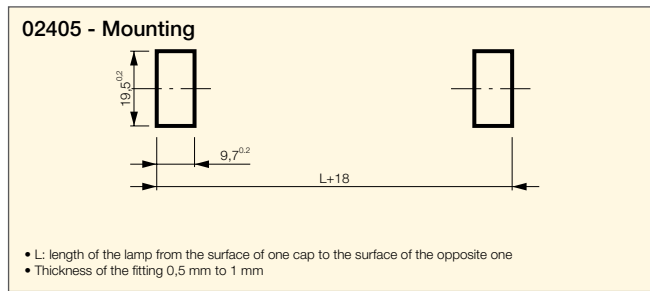
Lampholder for mains voltage halogen lamps

- 02396** 10 A 250 V metal lampholder, fixing base and steatite contact carrier, for halogen lamps R7s rating up to 1500 W, 350 mm PTFE teflon cable 1.5 mm². Rated operating temperature: the lampholder 300 °C, the cable 250 °C.
Fixing holes ø 3.3 mm, fixing centres 28 mm



02396

Lampholders for fluorescent lamps - TECHNICAL CHARACTERISTICS



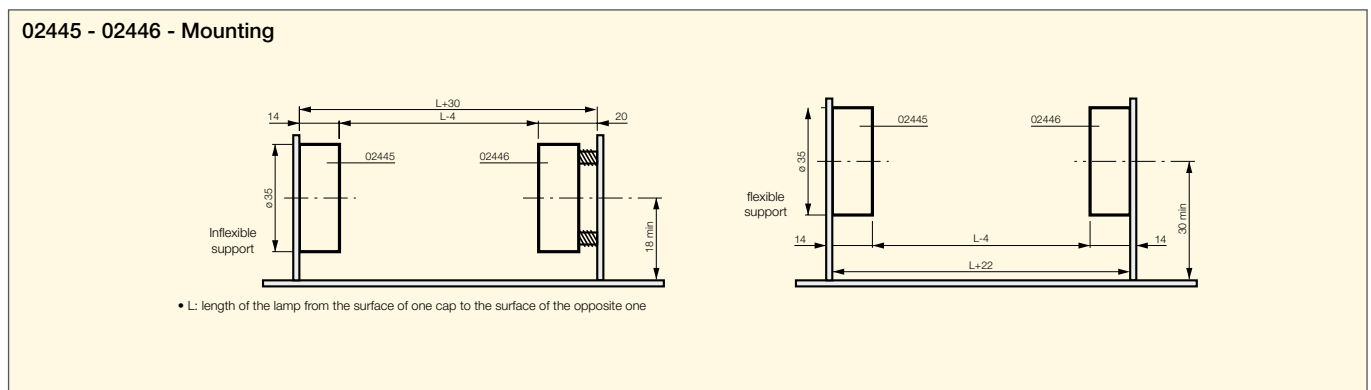
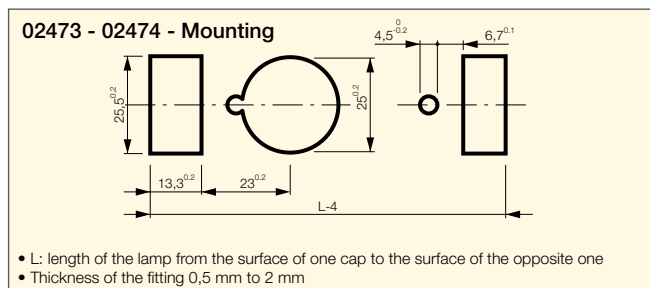
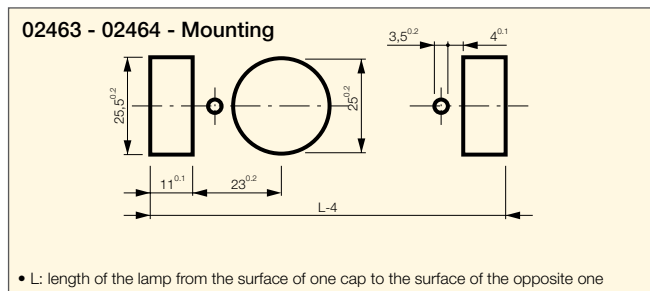
Lampholders for fluorescent tubular lamps

Technical specifications

- insulating self-extinguishing materials, complying with Italian Standard CEI 50-11 (IEC 695-2-1, IEC 695-2-2):
 - parts necessary to retain current-carrying parts in positions, needle-flame test t_a 10 s
 - parts only used as enclosure, Glow Wire test: 650 °C

Conformity to Standards

LV Directive
EN 60400 Standard



Lampholders for fluorescent lamps

Lampholders for G5 fluorescent tubular lamp

02405 2 A 250 V lampholder, snap fixing, screwless terminals for rigid and flexible conductors 0,5 mm² to 1 mm², brass contacts, rated operating temperature 110 °C, white



02405

Lampholders for G13 fluorescent tubular lamp

02463 2 A 250 V inflexible lampholder, rotor type, brass contacts, screw fixing, screw terminals, rated operating temperature 80 °C, white

02464 2 A 250 V inflexible lampholder, rotor type, with starter holder, brass contacts, screw fixing, screw terminals, rated operating temperature 80 °C, white



02463



02464

Lampholders for G13 fluorescent tubular lamp

02473 2 A 250 V inflexible lampholder, rotor type, with stop, for rigid and flexible conductors 0,5 mm² to 1 mm², brass contacts, snap fixing, screwless terminals, rated operating temperature 140 °C (T_m 110 °C), white

02474 2 A 250 V inflexible lampholder, rotor type, with stop and starter holder, for rigid and flexible conductors 0,5 mm² to 1 mm², brass contacts, snap fixing, screwless terminals, rated operating temperature 140 °C (T_m 110 °C), white



02473



02474

Round lampholder for G13 fluorescent tubular lamps

02445 2 A 250 V inflexible round lampholder, rotor type, screw fixing, screw terminals, rated operating temperature 80 °C, patented, white.
ø 4,3 mm fixing holes, 26 mm fixing centres

02446 2 A 250 V flexible round lampholder, rotor type, screw fixing, screw terminals, rated operating temperature 80 °C, patented, white
Fixing through spring eyelets - ø 3,5 mm holes, 26 mm fixing centres



02445



02446

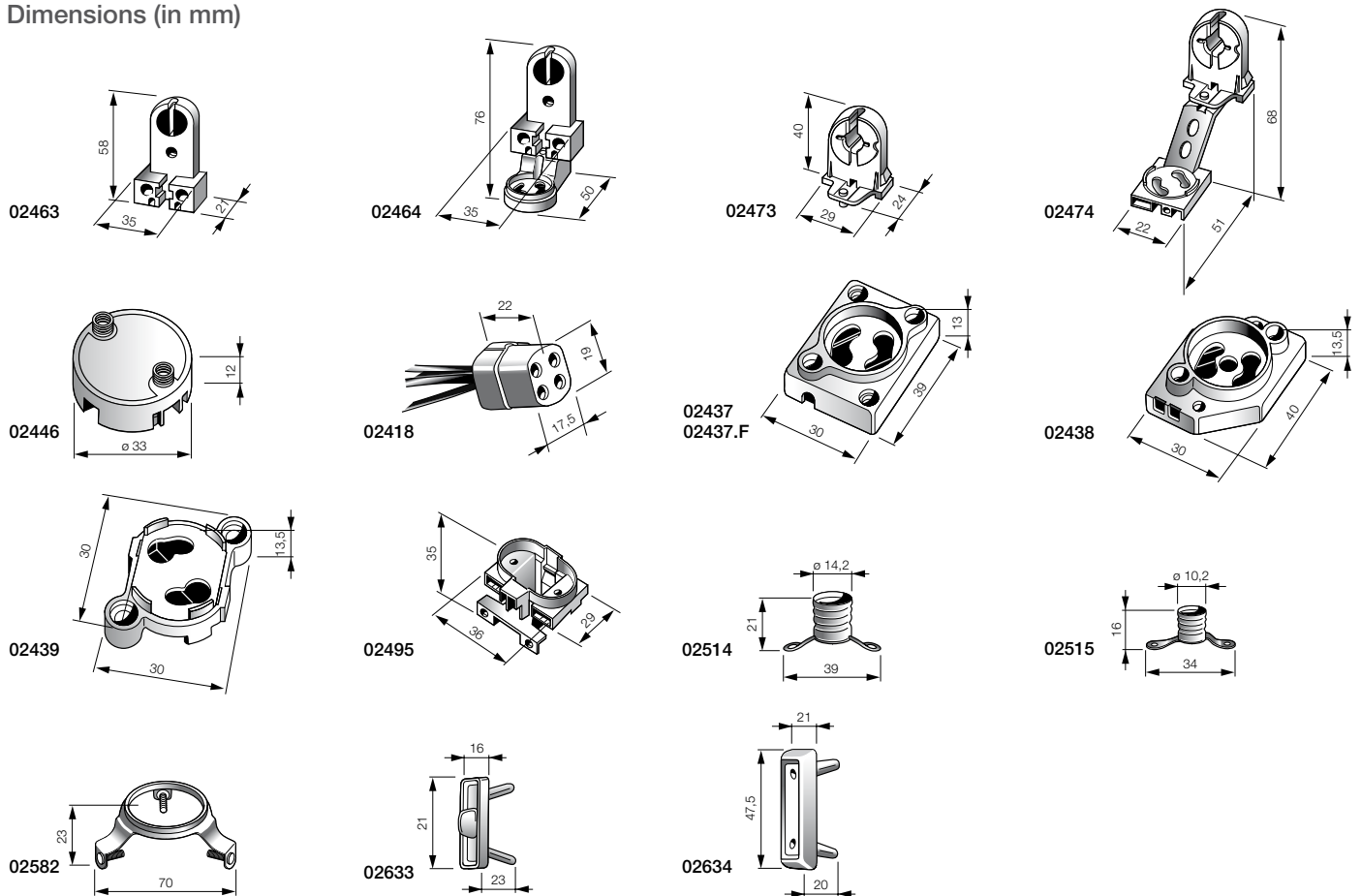
Lampholders for fluorescent lamps - TECHNICAL CHARACTERISTICS

Conformity to Standards 02418 - 02438 - 02439 - 02495

LV Directive

EN 60400 Standard

Dimensions (in mm)



Accessories for lampholders for G13 fluorescent tubular lamps

02487 Two screws (1/8"x25 + 1/8"x35) and relevant fixing nuts

02488 Two screws 1/8"x25 and relevant fixing nuts



Lampholder for G10q fluorescent circular lamps

02418 2 A 250 V push-fit lampholder for building-in, 4 conductors H05V-U 0.75 mm², 30 cm length, rated operating temperature 110 °C, white



Lampholders for fluorescent lamps

Starter holder - screw fixing - screw terminals

Δ*02437.F 2 A 250 V starter holder, zinc-plated steel contacts, rated operating temperature 80° C, white.
 ø 3.2 mm diagonal fixing holes, 34 mm fixing centres

Δ*02437 2 A 250 V starter holder, brass contacts, rated operating temperature 80° C, white.
 ø 3.2 mm diagonal fixing holes, 34 mm fixing centres

02438 2 A 250 V starter holder, brass contacts, rated operating temperature 80° C, white.
 Fixing holes: ø 3.2 mm at centres, ø 3.2 mm on the major axis, 31 mm fixing centres



02437.F
02437



02438

Starter holder - screw fixing - screwless terminals

02439 2 A 250 V starter holder, brass contacts, screwless terminals for rigid and flexible conductors 0,5-1 mm², rated operating temperature 110 °C, white. ø 3.5 mm diagonal fixing holes, 31 mm fixing centres



02439

Starter holder for G23 fluorescent single-ended compact lamps

02495 2 A 250 V lampholder for single-ended compact fluorescent lamps G23 5-11 W, screw fixing, screwless terminals for rigid and flexible conductors 0.5 mm² to 1 mm², rated operating temperature 140 °C, white



02495

Accessories

02514 E14 screw shell with fixing lugs, nickel-plated brass. To be completed with insulating protections against contacts with live parts. Suitable for SELV applications

02515 E10 screw shell with fixing lugs, nickel-plated brass. To be completed with insulating protections against contacts with live parts. Suitable for SELV applications

02582 Shade-holder ring for E27 lampholder. To be completed with insulating protections against contacts with live parts

02591 M10x1 suspension nipple, polyamide

02633 Socket outlet safety cap 2x10

02634 Socket outlet safety cap 2x16



02514



02515



02582



02591



02633



02634

* Only for Countries not members of the EU

Δ Available until stocks last