

Devices - TECHNICAL CHARACTERISTICS

01950 - Surface mounting control unit

The surface mounting control unit enables integrated control of comfort, security, energy saving and remote control in the residential and tertiary sectors.

Conformity to Standards

EMC Directive
EN 50130-4, EN 50090-2-2 Standards

Operating

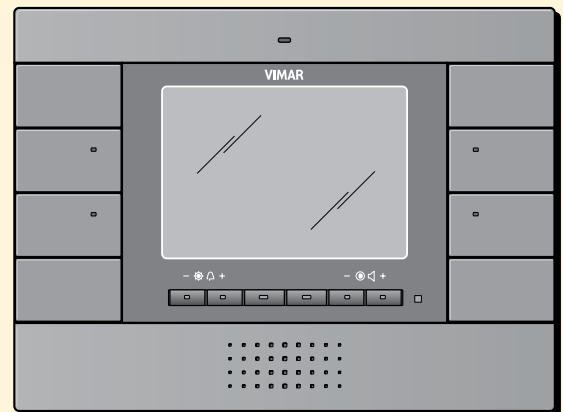
The front push buttons are used to configure and manage the system, from entering the parameters of the single devices to the programming all functions associated to the scenes, automations, burglar alarms and access control.

The diagnostics menu provides a fast analysis of the operating of all devices and events memory one displays all the occurred system functions (scenes, burglar alarm activation/deactivation and technical alarms, etc.).

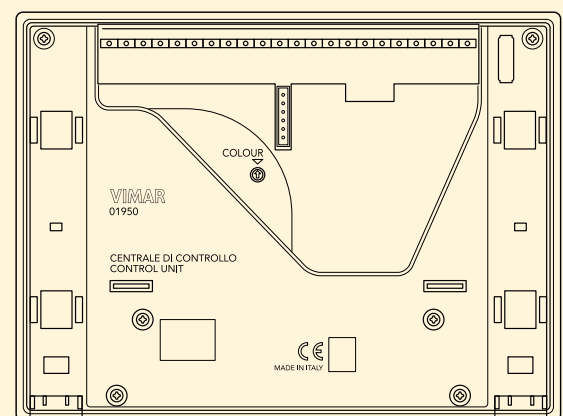
Terminals:

No.	Function
V+	Supply (+)
V-	Supply (-)
+	BUS (+)
-	BUS (-)
C - A	Free

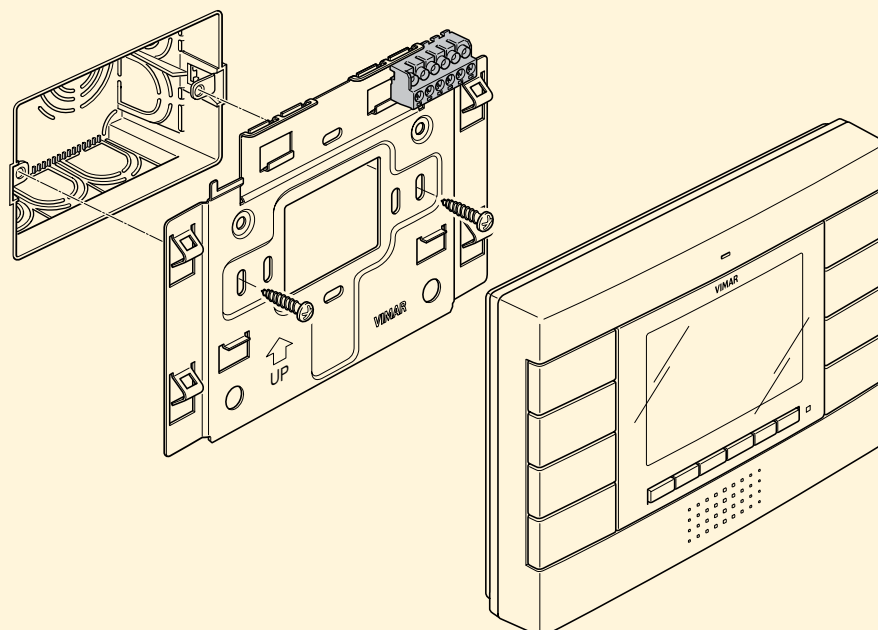
01950 - Front view



01950 - Rear view



Surface mounting control unit installation



Surface mounting control unit

01950... Control unit with LCD 3,5" color monitor, for surface mounting.
 The menu of the software is available in English (.EN), French (.FR), Spanish (.ES), German (.DE) and Greek (.EL) languages, adding to the basic code the respective preference



01950
White



01950.14
Anthracite



01950.20
Silver

