

Devices for EN 50022 rail installation - TECHNICAL CHARACTERISTICS

Line/field coupler

The device couples bus lines to share/transfer data messages; it also implements electrical separation of lines and filters out unnecessary messages.

It manages filter tables which block or pass messages between lines, thus limiting and optimizing data flows; these tables are created automatically by the ETS software. The line/field coupler can be used either as a line coupler, field coupler or repeater on all KNX/EIB networks.

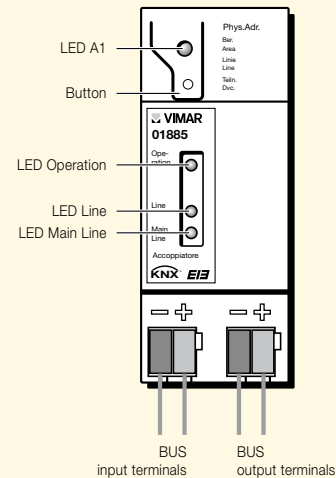
Technical specifications

- BUS rated voltage: 29 V
- **NOTE:** The device must be powered on both sides.
- absorption: 10 mA
- operating temperature: +5 °C - +45 °C (for indoor use)
- 2 modules of 17,5 mm

Conformity to Standards

EMC Directive
EN 50090-2-2 Standard

01885 - Connections



- LED A1 ON red: addressing mode (the led switches off automatically after the physical address has been programmed).
- LED A1 OFF: normal operating.
- LED Operation green: device ready for operating
- LED Line yellow: data reception from output bus line.
- LED Main Line yellow: data reception from input bus line.
- Configuration button: key switches between normal mode and physical address programming/detection mode

B type USB interface

The device connects a PC to the bus line (or lines) via its integrated USB socket for configuration, addressing, parameter programming, display, registration and diagnostics of all bus system devices.

The PC connection is implemented via the device's integrated type B USB socket and any type A USB socket on the PC itself.

The interface is powered by the PC via the USB cable; if the latter is not connected or the PC is switched off, the interface is not active and cannot be queried by the bus.

NOTE: the USB cable (type A on the PC side and type B on the interface side) is not supplied with the device.

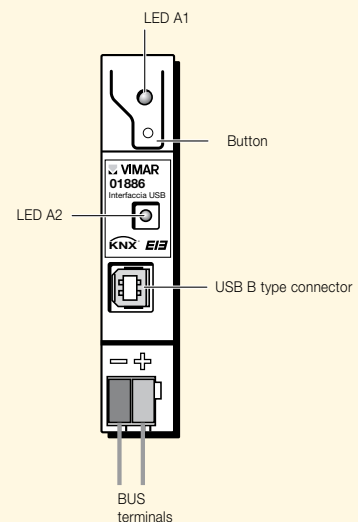
Technical specifications

- BUS rated voltage: 29 V
- absorption: 10 mA
- operating temperature: +5 °C - +45 °C (for indoor use)
- 1 module of 17,5 mm

Conformity to Standards

EMC Directive
EN 50090-2-2 Standard

01886 - Connections



- LED A1 ON red: addressing mode (the led switches off automatically after the physical address has been programmed).
- LED A1 OFF: normal operating.
- LED A2 ON green: USB connection active.
- LED A2 flashing green: data transfer on BUS line.
- Configuration button: key switches between normal mode and physical address programming/detection mode.

Devices for EN 50022 rail installation

Line/field coupler

01885 Line/field coupler, KNX/EIB standard, on EN 50022 rail installation, occupies 2 17,5 mm modules, RAL 7035 grey



01885

USB interface

01886 B type USB interface, KNX/EIB standard, on EN 50022 rail installation, occupies 1 17,5 mm modules, RAL 7035 grey



01886

BUS cable

01890 2x2x0,8 mm cable, halogen-free, LSZH sheath, KNX EIB standard, green - 100 m



01890