

Devices for EN 50022 rail installation - TECHNICAL CHARACTERISTICS

01852 - Actuator with rolling shutters output relay

This device controls 2 roller blinds.

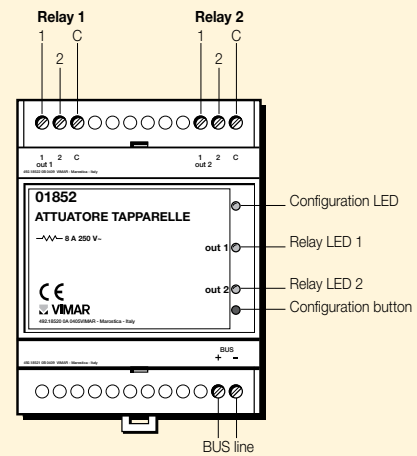
Technical specifications

- rated voltage: BUS 29 V;
- absorption: 14 mA;
- terminals:
 - BUS TP;
 - relay contact: 2 (1, 2, C);
- output: 8 A 250 V~ relay;
- controllable loads to 120-230 V~:
 - resistive loads: 6 A (20.000 cycles);
 - motors $\cos \phi$ 0,6: 3,5 A (100.000 cycles);
- 4 modules of 17,5 mm

Conformity to Standards

LV Directive, EMC Directive
EN 50428 Standards

01852 - Front view and connections



01856 - Actuator with relay output for ballast

Actuator for 0-10 V ballast electronic transformers.

This device can be controlled by means of rocker push buttons. Maximum output current is 30 mA.

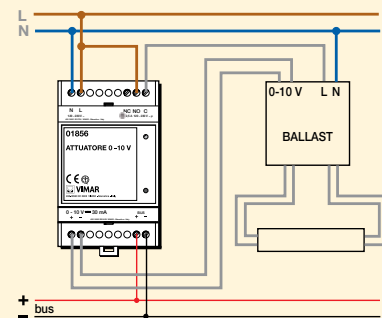
Technical specifications

- rated voltage: BUS 29 V;
- absorption: 10 mA;
- terminals:
 - BUS TP;
 - main supply: 120-230 V~ 50-60 Hz;
 - relay contacts (C, NC, NO): 2,5 A;
 - control 0-10 V: 30 mA;
- range: 10 m max between actuator and ballast, with twisted pair cable;
- 3 modules of 17,5 mm.

Conformity to Standards

LV Directive, EMC Directive
EN 50428 Standards

01856 - Connections



Devices for EN 50022 rail installation

Actuator with rolling shutters relay output

01852 Actuator for 2 rolling shutters, 6 A 250 V~ relay output, on EN 50022 rail installation, occupies 4 17,5 mm module, RAL 7035 grey



01852

Actuator for ballast

01856 Actuator with 0-10 V d.c. output for ballast control, change-over relay output, on EN 50022 rail installation, occupies 3 17,5 mm modules, RAL 7035 grey



01856