

## Infrared protection rail - CARATTERISTICHE TECNICHE

### 01832... - Active infrared multi-beam protection rail

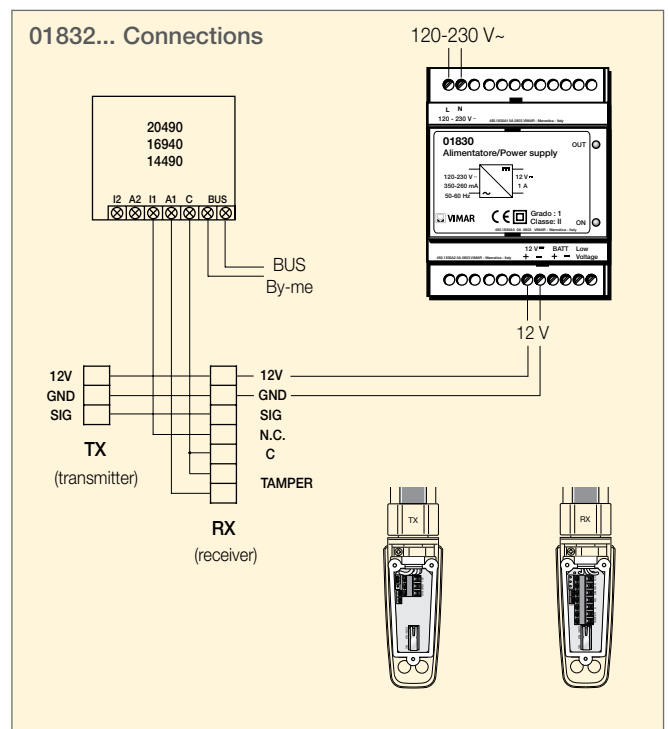
The infrared protection rail enables realizing the outer protection of the local so as to warn an alarm before intruders can access into the home.

#### Technical specifications

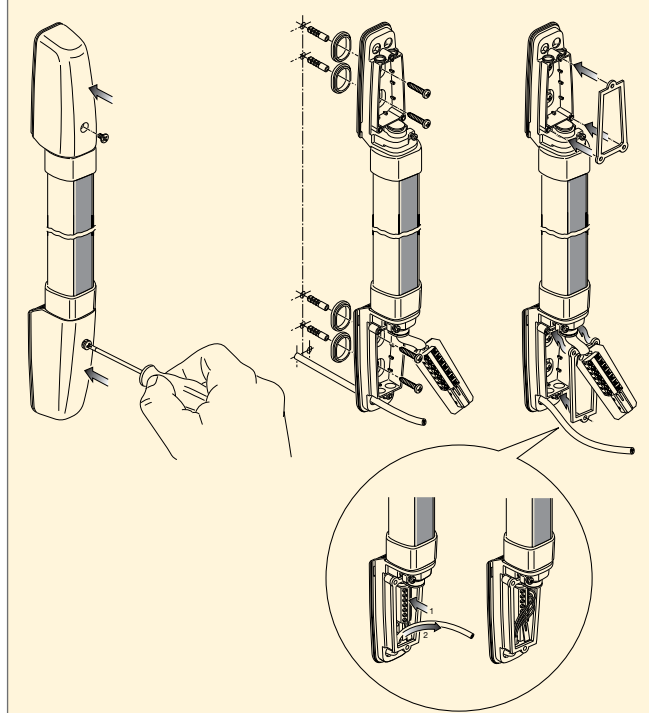
- supply voltage: 12 V d.c., -10% +30%
- absorption: 95 mA
- relay output: NC 120 mA, 50 V 50-60 Hz or 50 V d.c.
- max range: 10 m outdoor - 15 m indoor
- horizontal coverage: 180°
- available dimensions (with frame):
  - 560 x 33 x 35 mm
  - 760 x 33 x 35 mm
  - 1120 x 33 x 35 mm
  - 1520 x 33 x 35 mm
  - 2000 x 33 x 35 mm
- number of double beam (dimensions order): 3, 4, 6, 8 and 10
- protection degree: IP44
- operating temperature: -25°C - + 55 °C

#### Conformity to Standards

EMC Directive,  
EN 50130-4, EN 61000-6-3 Standards



### 01832... - Mounting



### 01832... - Example of use



## Infrared protection rail

### Infrared protection rail

**01832.056** Active infrared multi-beam protection rail, NC 50 V relay output, supply voltage 12 V d.c., 56 cm long

**01832.076** As above, 76 cm long

**01832.112** As above, 112 cm long

**01832.152** As above, 152 cm long

**01832.200** As above, 200 cm long



01832...