

Detectors and contacts - TECHNICAL CHARACTERISTICS

01820 and 01821 - Flush mounting magnetic contact

The magnetic contact makes it possible to guard the opening of an access point (door and/or window) inside the rooms

01822 - Visible surface mounting magnetic contact

The visible contact makes it possible to guard the opening of an access point (door and/or window) inside the rooms.

01823 - Metal magnetic contact

The floor-safe contact is especially suited for guarding the opening or swinging (garage) or other large doors.

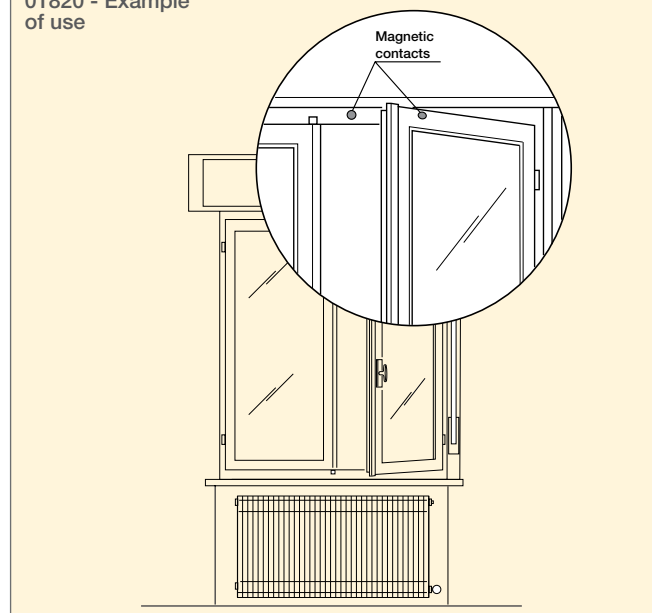
01825 - Detector with cord-operated contact

The detector installed in the rooms to be protected makes possible to detect any attempts to raise roller blinds or gates.

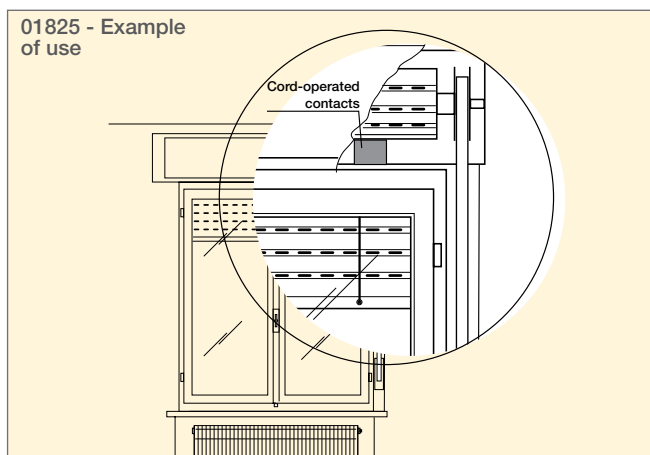
01826 - Impact detector

The detector installed in the rooms to be protected makes possible to check for vibrations in windows and glass. The sensitivity of the vibrations may be set in the impact sensor.

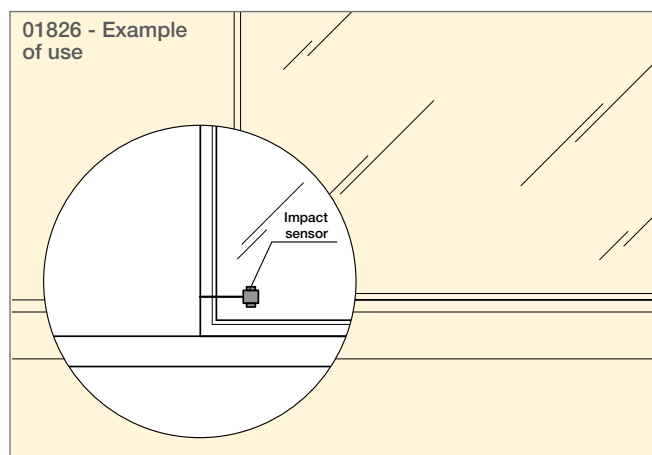
01820 - Example of use



01825 - Example of use



01826 - Example of use



Detectors and contacts

Magnetic contact

01820 Magnetic contact for flush mounting

01821 Metal magnetic contact for flush mounting



Magnetic contact

01822 Magnetic contact for visible surface mounting

01823 Metal magnetic contact for visible surface mounting for the protection of garage doors



Electromechanical contact

01825 Electromechanical cord-operated contact detector for roller blinds and gate protection

01826 Electromechanical detector with impact sensor for window and glazed frame protection

