

Devices for EN 50022 rail installation - TECHNICAL CHARACTERISTICS

01808 - Back-up unit for DIN rail

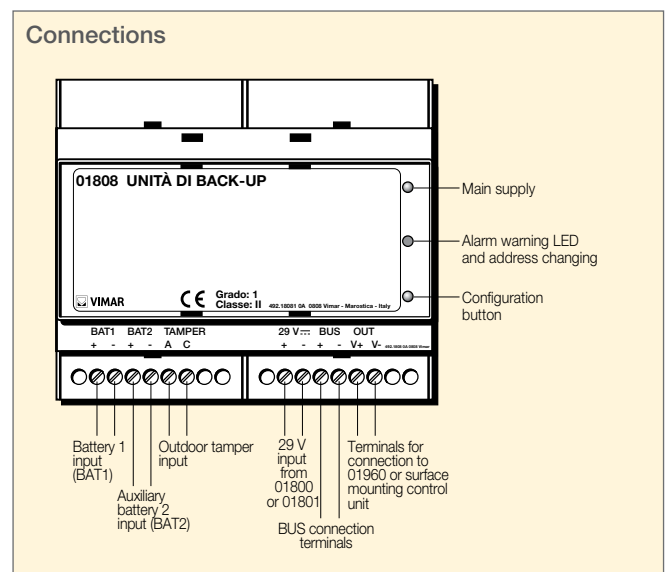
The back-up unit can be considered as a replacement for 01804 flush mounting back-unit; sized 6 modules of 17,5 mm, to install on consumer unit with battery holder 01809. It is provided of 2 dedicated outputs for the 2 24 V batteries (not supplied) and outdoor tamper connection terminals. This back-up unit have to supplied through power supply unit 01800 or AUX output of power supply unit 01801.

Technical specifications

- rated voltage (Vn): 29 ±1 V d.c.
- output voltage: BUS 29 ±1 V d.c.
- absorption:
 - BUS output: max 320 mA
 - CENTRAL output: 150 mA
 - Battery 1 output: 27 V d.c. (max 150 mA battery completely flat),
 - Battery 2 output: 27 V d.c. (max 150 mA battery completely flat) in stand-by: 30 mA (auxiliary).
- If AUX output of the power supply unit 01801, provides supply the back-up unit, in addition to BUS line it is possible to supply the control unit 20550 + 01960 a battery (BAT1) and another battery (BAT2).
- max supply voltage for control unit: 150 mA d.c.
- max rated voltage for control unit (Vn): 29 V ±1 V d.c.
- protection degree: IP30
- operating temperature: -5 - +45 °C (for indoor)
- control of battery status and communication to control unit
- battery-charging circuit (buffer battery)
- input to 29 V d.c. (supply voltage from power supply unit) and output to 29 V d.c. (BUS rated voltage)
- to each battery output can be connected:
 - only lead battery 24 V d.c. (2x12 V d.c.) 2 Ah output 1 (BAT1)
 - only lead battery 24 V d.c. (2x12 V d.c.) 2 Ah output 2 (BAT2)
- total of 120 mA in 24 h and 240 mA in 12 h
- installation: on EN 50022 rail (6 17,5 mm modules)

Conformity to Standards

EMC Directive
EN 50130-4, EN 61000-6-3 Standards

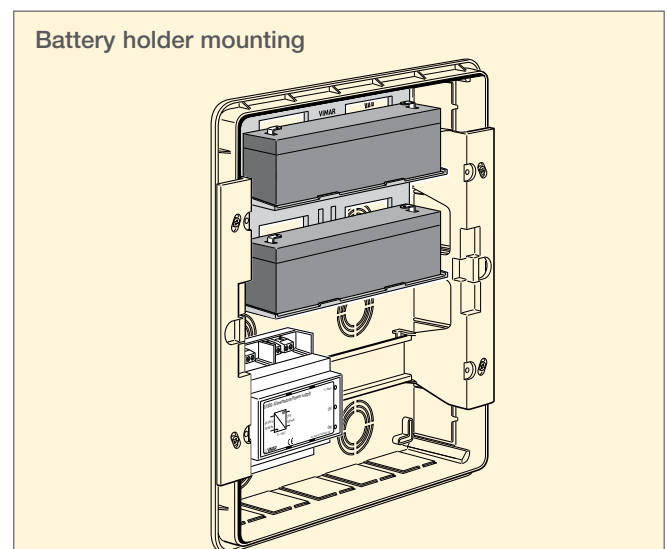


01809 - Battery holder for consumer unit

Battery holder for consumer unit, mounting on EN 50022 rail, occupies 12x2 17,5 mm modules.

Technical specifications

- the battery holder have to be installed next to the power supply unit 01830 or back-up unit 01808



Devices for EN 50022 rail installation

Back-up unit for DIN rail

01808 Back-up unit with decoupling coil, supply voltage 29 V d.c., on EN 50022 rail installation, occupies 6 17,5 mm modules, RAL 7035 grey



01808

Battery holder

01809 Battery holder for consumer unit, on EN 50022 rail installation, occupies 12x2 17,5 mm modules



01809